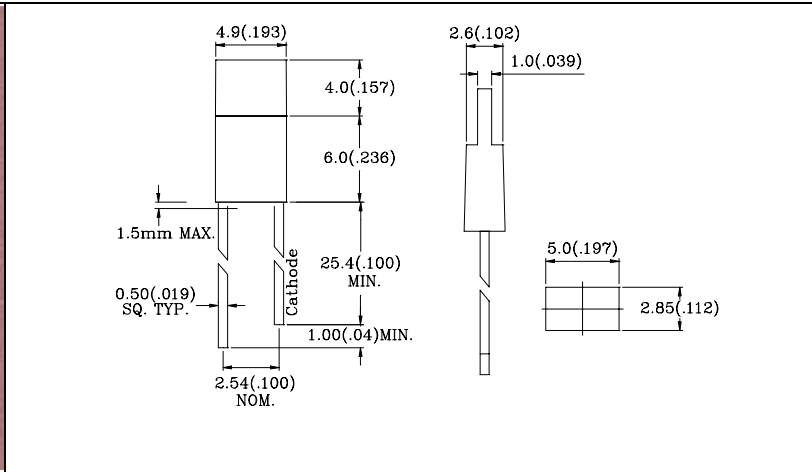
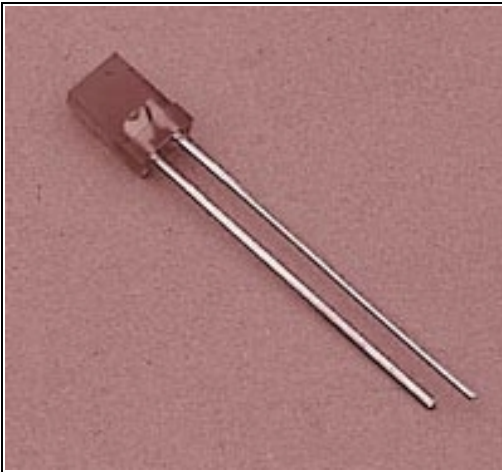


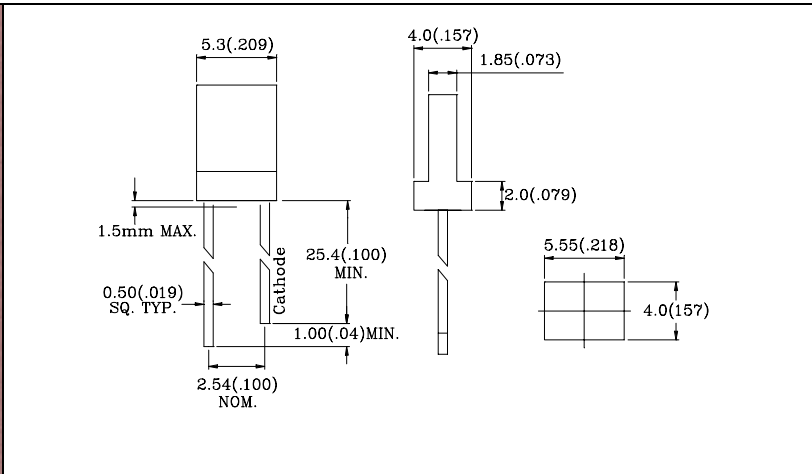
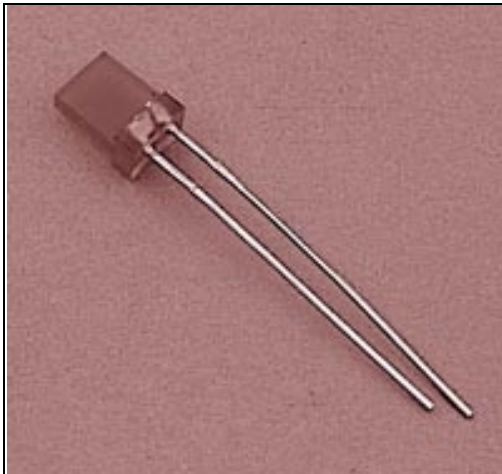


L-483XX 1.0x5.0x10.0mm RECTANGULAR LED LAMP



Part No.	Chip		Lens Color	Wave Length λ p(nm)	Electro-Optical Characteristics			View Angle (deg)
	Raw Material	Emitted Color			Vf(V)20mA		Iv(mcd)10mA	
					Typ.	Max.	Typ.	
L-483HD	GaP	Red	Red Diffused	700	2.1	2.8	3.0	130
L-483GD	GaP	Green	Green Diffused	565	2.1	2.8	6.0	130
L-483YD	GaAsP/GaP	Yellow	Yellow Diffused	585	2.1	2.8	6.0	130
L-483ED	GaAsP/GaP	Hi.effi Red	Red Diffused	635	2.0	2.8	8.0	130
L-483SRD	GaAlAs	Super Red	Red Diffused	660	1.8	2.4	50.0	130

L-493XX 1.8x5.3x8.0mm RECTANGULAR LED LAMP



Part No.	Chip		Lens Color	Wave Length λ p(nm)	Electro-Optical Characteristics			View Angle (deg)
	Raw Material	Emitted Color			Vf(V)20mA		Iv(mcd)10mA	
					Typ.	Max.	Typ.	
L-493HD	GaP	Red	Red Diffused	700	2.1	2.8	4.0	130
L-493GD	GaP	Green	Green Diffused	565	2.1	2.8	8.0	130
L-493YD	GaAsP/GaP	Yellow	Yellow Diffused	585	2.1	2.8	8.0	130
L-493ED	GaAsP/GaP	Hi.effi Red	Red Diffused	635	2.0	2.8	10.0	130
L-493SRD	GaAlAs	Super Red	Red Diffused	660	1.8	2.4	80.0	130

- 1.All dimension are in millimeters (inches).
- 2.Tolerance is ± 0.25 mm (0.01") unless otherwise specified.

This datasheet has been downloaded from:

www.DatasheetCatalog.com

Datasheets for electronic components.