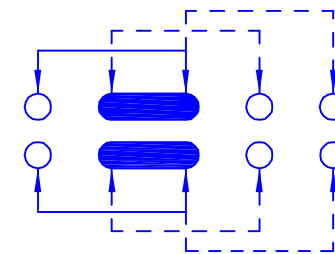
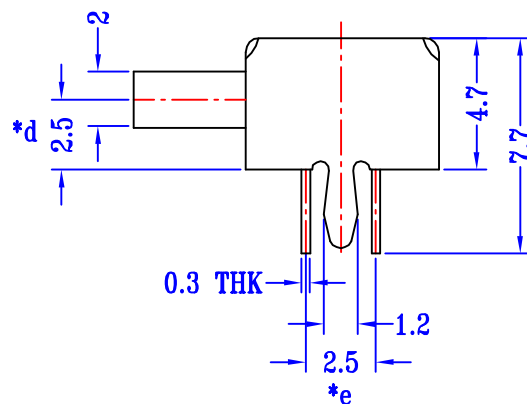
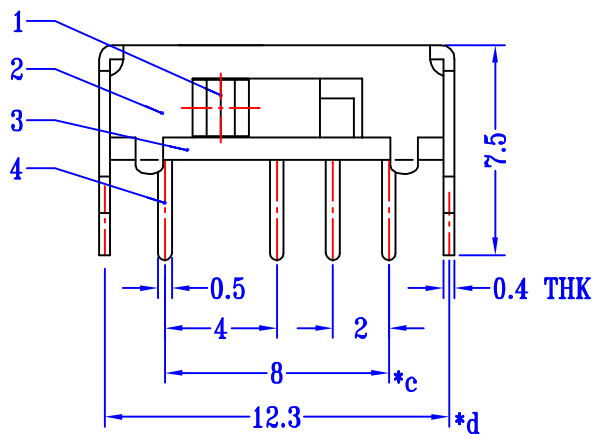
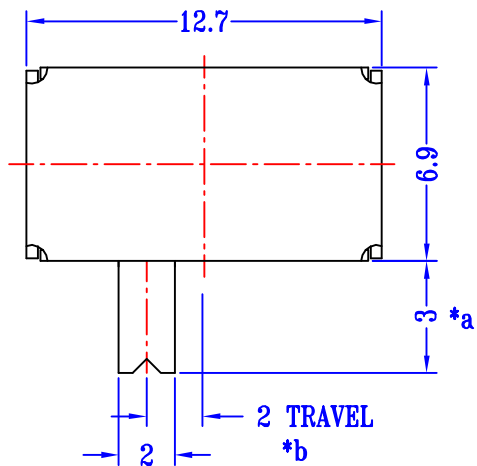
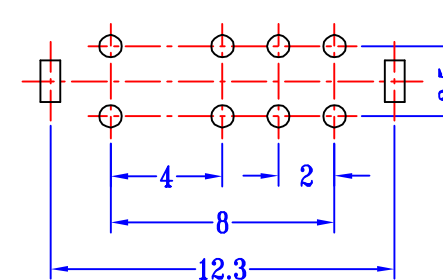


CAD FILE:



SCHEMATIC (SHORTING)



P.C.B LAYOUT
BOTTOM VIEW

注：“*”表示关键尺寸（6个）。

NO.	PARTS	MATERIALS	Q'TY	FINISH	TOLERANCE UNLESS SPECIFIED	ISSUE	DATE	DESCRIPTIONS OF REVISION	APPD.
8									
7									
6	SPRING PLATE	PBS STRIP	1	NATURAL	WITHIN 1.5mm : ±0.1mm OVER 1.5mm : ±0.2mm				
5	CONTACT CLIP	PBS C5210R-EH	2	Ag PLATED					
4	TERMINAL	BRASS STRIP	8	Ag PLATED					
3	BASE	PHENOLIC RESIN	1	NATURAL					
2	FRAME	STEEL STRIP	1	Ni PLATED					
1	KNOB	NYLON+FG.+94V0	1	BLACK					
					TITLE : HORIZONTAL SLIDE SWITCH		UNIT : mm	DRWG NO.:L-KLS7-SK35-23D07-VG3	
					MODEL: L-KLS7-SK35-23D07-VG3		SCALE: 7:2	DWN.	
					NINGBO KLS ELECTRONIC CO., LTD		CHK'D		
							APPD.		