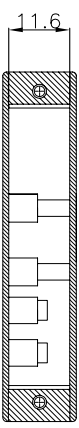
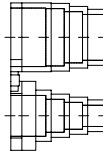
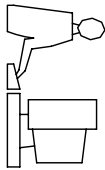


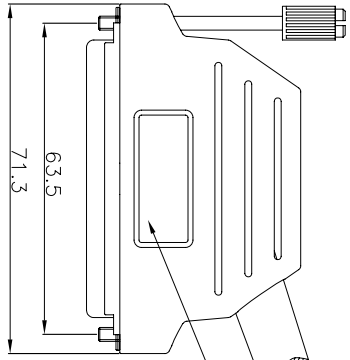
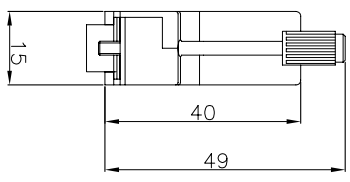
THIS IS A C.A.D. GENERATED DRAWING  
DO NOT MAKE MANUAL REVISIONS TO MASTER.

**BACKSHELL KIT INCLUDES:**

- (2) BACKSHELL HALVES
- (1) 4-40 THUMBSCREWS
- (1) MATING SCREW (FULL METAL)
- (2) CLAMP SCREWS
- (1) METAL CLAMP
- (1) PLASTIC CLAMP

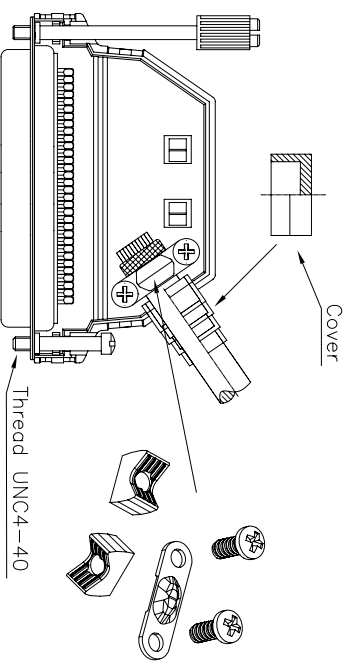


Bypacked 2 grommets,  
only with metalized version  
(Optional plastic version)



max O.D 11,5mm

Logo upon request



**BACKSHELL MATERIAL:**  
ABS:UL RECOGNIZED BLACK  
JACKSCREWS: STEEL:ZN PLATED WITH PLASTIC KNOB  
COMPRESSION INSERT: ABS:UL RECOGNIZED  
CLAMP SCREW: STEEL:ZN PLATED  
OPERATING TEMP: -55°C TO+110°C

DIMENSIONS(mm/in)				
SIZE	A	B	C	D
	±0.10	±0.10	±0.10	±0.13
37	71.3	40.0	15.00	63.50
	2.807	1.575	0.591	2.500

\* UNLESS OTHERWISE SPECIFIED TOLERANCES  
ON DECIMAL IS: ANGLE ± 1°  
UNIT: MM .XX ± 0.35

**ORDERING INFORMATION:**

SIZE	P/N - KITTED	PRODUCT CODE
37-WAY	6260-0107-14	MHDSSK-P-37-S-K
SIZE	P/N - BULK	PRODUCT CODE
37-WAY	6261-0107-14	MHDSSK-P-37-S

THESE DRAWINGS AND SPECIFICATIONS ARE THE PROPERTY OF MH CONNECTORS LTD. AND SHALL NOT BE REPRODUCED, COPIED OR USED AS THE BASIS FOR THE MANUFACTURE OR SALE OF APPARATUS WITHOUT WRITTEN PERMISSION.		DRAWN Johnny	DATE 12-05-12
		APPROVED	DATE



THIS SERIES FULLY CONFORMS TO THE  
EUROPEAN UNION DIRECTIVES 2002/95/EC  
AND 2002/96/EC FOR ROHS COMPLIANCY.



**MH CONNECTORS LTD.**

SCALE 1:1	SHEET OF 1 DF 1	REV: 1.0
DRAWING No MHDSSK-P-37-S		