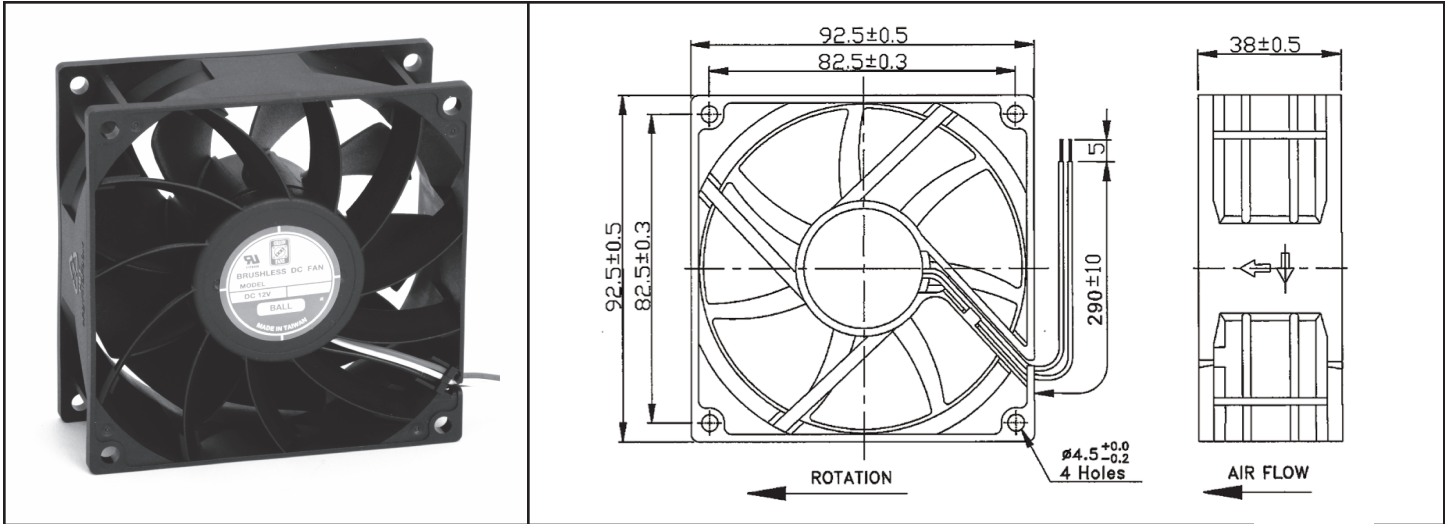


OD9238 VA Series

Vaneaxial, High Pressure



DC Fan - 12, 24, 48V
92x38mm (3.62" x 1.5")



Frame & Impeller	PBT, UL94V-0 plastic	Available Options: IP55 Tachometer (FG) Alarm PWM Super High Speed (150CFM) Life Expectancy (L10) 75,000 hours (40C) Weight: ~0.42 lbs. m1	
Connection	2x Lead wires, 290mm, UL1007, AWG 24		
Motor	Brushless DC, auto restart, polarity protected.		
Bearing System	Dual ball bearing		
Insulation Resistance	Min. 10M at 500VDC		
Dielectric Strength	1 minute at 500 VAC, max leakage < 500 MicroAmp		
Temperature Range	-10C ~ 70C		
Storage Temperature	-40C ~ +80C		

Model Number	Speed (RPM)	Airflow (CFM)	Noise (dB)	Volts DC	Real Power (Watts)	Real Current (Amps)	Max. Static Pressure (\"H ₂ O)
OD9238-12HBVXC	5400	135	58.5	12	16.56	1.38	0.74
OD9238-12MBVXC	4800	109	58	12	11.76	0.98	0.57
OD9238-12LBVXC	4400	108	52.5	12	9	0.75	0.50
OD9238-24HBVXC	5400	135	58.5	24	15.6	0.65	0.74
OD9238-24MBVXC	4800	118	55	24	11.28	0.47	0.59
OD9238-48HBVXC	5400	125	61.2	48	16.8	0.35	0.75

Mouser Electronics

Authorized Distributor

Click to View Pricing, Inventory, Delivery & Lifecycle Information:

Orion Fans:

[OD9238-12MB-VXC](#) [OD9238-12LB-VXC](#) [OD9238-24MB-VXC](#) [OD9238-12HBVXC](#) [OD9238-48HBVXC](#) [OD9238-24HBVXC](#)