

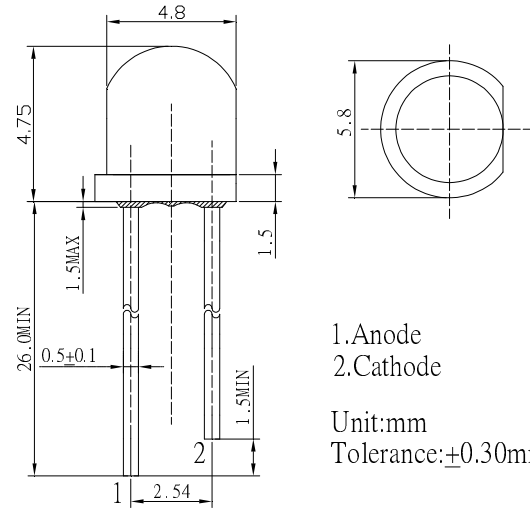
■Features

- Infrared Light Emitting Diode
- 880nm, 45mW
- Viewing angle: 20deg
- Package: 4.8mm clear epoxy
- UV Resistant Epoxy

■Applications

- IrDA
- Encoder
- Data Communication

■Outline Dimension



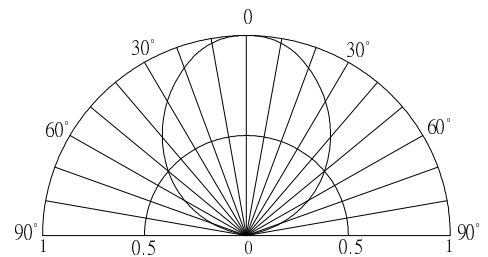
■Absolute Maximum Rating

(Ta=25°C)

Item	Symbol	Value	Unit
DC Forward Current	I _F	100	mA
Pulse Forward Current*	I _{FP}	200	mA
Reverse Voltage	V _R	5	V
Power Dissipation	P _D	200	mW
Operating Temperature	T _{opr}	-30 ~ +85	°C
Storage Temperature	T _{stg}	-40~ +100	°C
Lead Soldering Temperature	T _{sol}	260°C/5sec	-

* Pulse Width ≤ 100us, Duty ≤ 1/100

■Directivity



■Electrical -Optical Characteristics

(Ta=25°C)

Item	Symbol	Condition	Min.	Typ.	Max.	Unit
DC Forward Voltage	V _F	I _F =100mA	-	1.6	2.0	V
DC Reverse Current	I _R	V _R =5V	-	-	10	μA
Peak Wavelength	λ _p	I _F =100mA	886	880	892	nm
Radiant Intensity*	I _e	I _F =100mA	-	45	-	mW/Sr
50% Power Angle	2θ _{1/2}	I _F =100mA	-	100	-	deg

*1 Tolerance of Peak wavelength is ±1nm

*2 Tolerance of I Radiant Intensity is ±15%