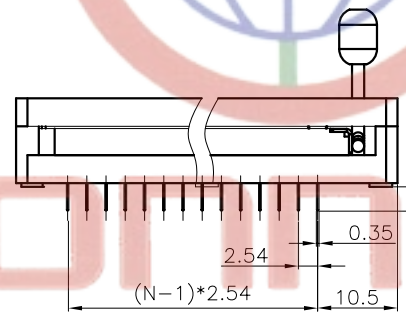
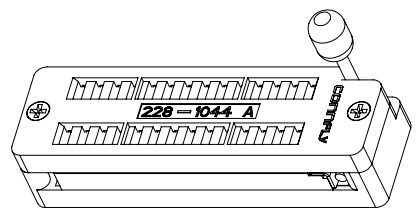
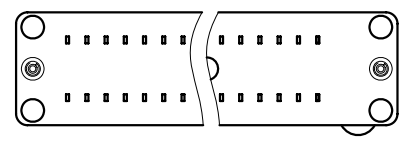
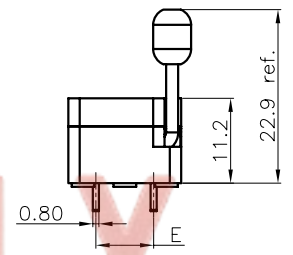


Positions	A	B	C	D	E
14	32.6	28.2			
16	35.1	30.7			
20	40.2	35.8	11.22	14.90	7.62
24	45.3	40.9			
28	50.4	46.0			
32	55.5	51.1			
40	65.6	61.2	18.84	22.52	15.24
48	75.8	71.4			



N = No. of contacts / 2



REV.	DESCRIPTION	DRAWN	CHECKED	APPROVED
A	NEW RELEASE	DMJ 06/07/07'		

- FEATURES
 - Compact mechanical construction to ensure long term life.
 - Zero insertion and extraction pressure.
 - standard 0.100(2.54mm) IC pitch, easy to mount in PC board.
 - All plastics are UL 94v-0 grade fire retardant.
 - Gold plated contact to ensure low contact resistance and long operation life.

- SPECIFICATION
 - ELECTRICAL:
 - Rating: 50VDC, 100mA.
 - Contact Resistance: 50mΩ Max.
 - Insulation Resistance: 1000MΩ Min.
 - Dielectric withstanding voltage: 500VDC min. for 60 seconds. Capacitance between adjacent contacts.
 - MECHANICAL AND ENVIRONMENTAL
 - Temperature Rating:
 - Operating: -25°C to +70°C
 - Storage: -40°C to +85°C
 - Durability: 5,000 cycles (with load)
 - Humidity: 95%RH, 40°C for 48 Hrs.
 - Solderability: After flux 230°C for 5±0.5 Seconds, 95% coverage
 - Soldering Heat: 260±5°C for 5±1 Seconds.

- PRODUCT NUMBER CODE:

DS1044 - X X X

 - Housing color
 - L: Blue
 - B: Black
 - G: Green
 - Contact plating
 - 6: Full Tin
 - F: Full 3u" gold
 - No. of contacts
 - 14 16 20 24 28 32 40 48

Tel: 86-574-63508787
 Fax: 86-574-63510817

GENERAL TOLERANCE	ANGLE TOLERANCE	PROJECTION	TITLE
X. ±0.60	X. ±5°	UNITS mm	ZIF SOCKET
.X ±0.38	.X ±3°	SHEET SIZE A4	SERIES DS1044 SERIES
.XX ±0.25	.XX ±2°		
DRAWING TYPE	CUSTOMER	晨翔电子有限公司 CONNFLY CONNFLY ELECTRONIC CO. LTD	
SCALE	1:1 SHEET 1 OF 1		
DRAWING NO.	C-DS1044-XXX		