

Push-Button Switch

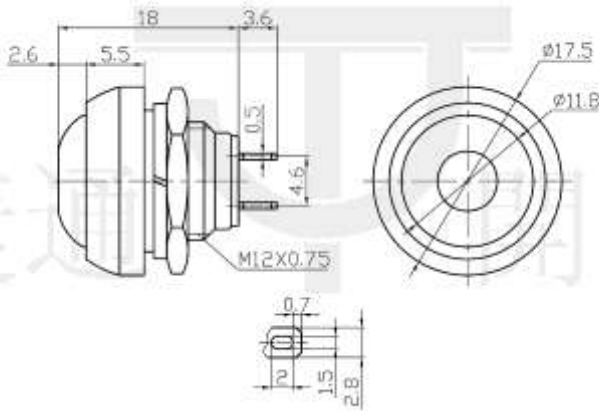
Q-1035

TYPE: **PBS-33B**

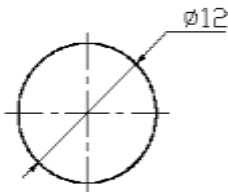
SPECIFICATIONS

Rating: 3A 125V AC; 1A 250V AC
 Contact R: 20mΩ max
 Insulation R: 500V DC 100MΩ min
 Dielectric Strength: 1 Minute 1000V AC
 Operating Temperature: -25°C ~ +85°C
 Electrical Life: 50, 000 Cycles

Outline Drawing



Mounting



Circuitry

