

## Voltmeter Ammeter AC 220V RS485 Whole House Energy Monitor Watt Meter Power Analyzer

|                      |            |
|----------------------|------------|
| <b>Product Type</b>  | PZEM-016   |
| <b>Current Range</b> | 0-100A     |
| <b>Voltage Range</b> | AC 80-260V |
| <b>Active Power</b>  | 0-23KW     |
| <b>Energy Range</b>  | 0-9999Kwh  |
| <b>Power Factor</b>  | 0.00~1.00  |
| <b>Frequency</b>     | 45Hz~65Hz  |
| <b>Weight</b>        | 127g       |

### Voltage

- \* Measuring range:80~260V
- \* Resolution: 0.1V

### Current

- \* Measuring range: 0~100A(PZEM-016)
- \* Resolution: 0.001A

### Active power

- \* Measuring range:0~23kW(PZEM-016)
- \* Resolution: 0.1W

### Power factor

- \* Measuring range: 00~1.00
- \* Resolution: 0.01

### Frequency

- \* Measuring range: 45Hz~65Hz
- \* Resolution: 0.1Hz

### Active energy

- \* Measuring range: 0~99kWh
- \* Resolution: 1Wh
- \* Reset energy: use software to reset.

**PEACEFAIR AC ENERGY METER BOX**

English software used in all Win system

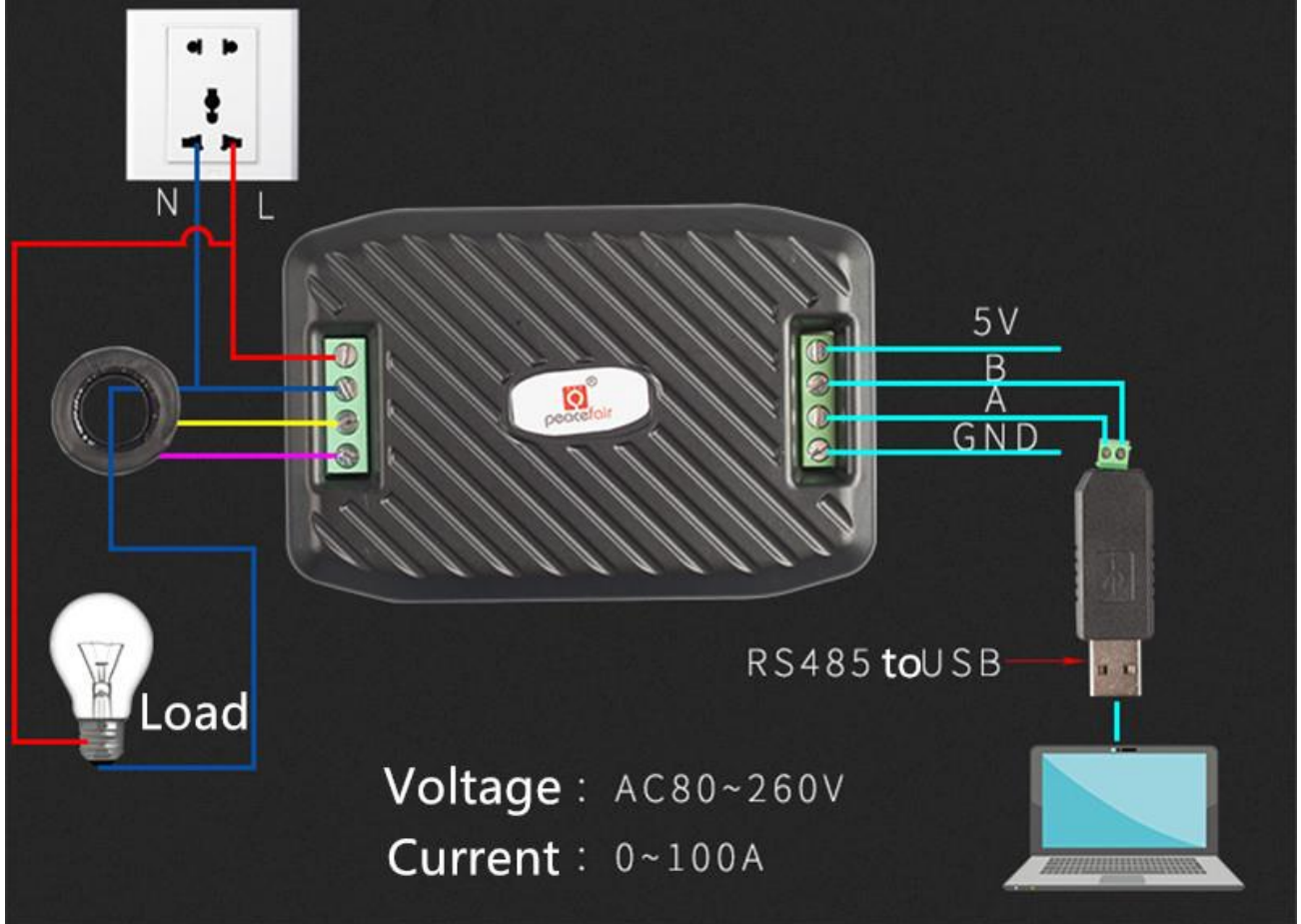
|         |        |              |            |
|---------|--------|--------------|------------|
| Voltage | Power  | Power Factor | RS485 Port |
| Current | Energy | Frequency    | MODBUS-RTU |

**Volt: AC80~260V**  
**Amps: 0~10A/0~100A**

**Choose Us**  
**Choose Quality**

# The wiring of PZEM-016

We only provide the software which can connect with PC.  
if you want to connect to your other terminal device such as PLC ,SCM,  
you should prepare the fitable cable and program by yourself.



## Direction for use

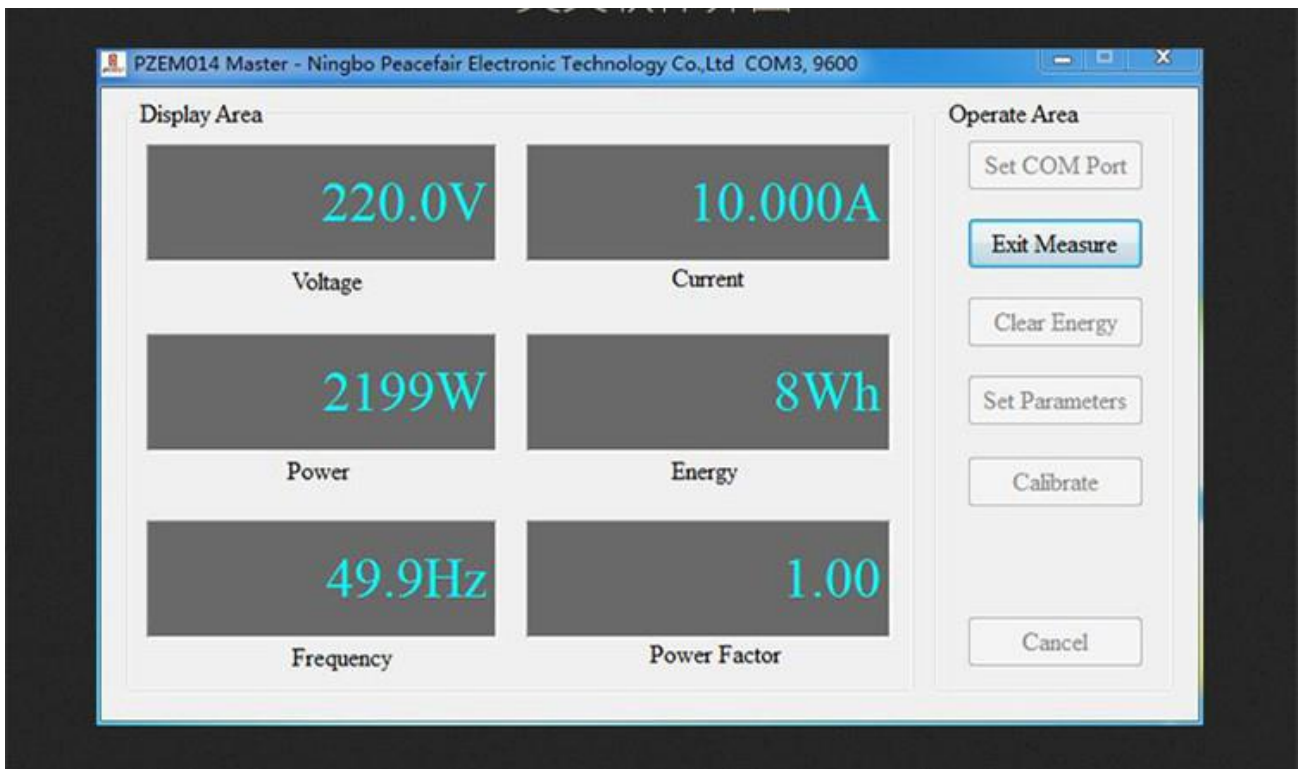
This module is mainly used for measuring AC voltage, current, active power, frequency, power factor and active energy, the module is without display function, the data is read through the RS485 interface.

### \* Power supply

1. AC voltage provides two isolated outputs after through the switching power supply, one way is 3.3V provides to the measurement system, the other way is 5V provides to 485 communication circuits and external circuits.  
485 communication interface power is(+5 V),current output capability is 100mA

### 2. Working temperature

-20°C ~ +60°C。



### The English Software interface

Note

1. We only provide the software connect with PC, it is standalone version, not support Multimachine communication,if you want to use more than one module at the same time, you should set the address of each module in advance, then use the address to distinguish the terminal box when read or set the data
2. Physical layer use UART to RS485 communication interface  
Baud rate is 9600, 8 data bits, 1 stop bit, no parity

