

PZEM-022 6in1 Volt Amp Watt Energy Frequency Energy Power Factor Single Phase Solar Power Meter AC Current Meter

Model Number:

PZEM-022

Measuring Current Range:

0-100A

Measuring Voltage Range:

AC80-260V

Accuracy Class:

1.0grade

Operating Temperature:

-10-60degree

Dimensions:

89.6*49.6*24.3mm

backlight color:

blue

Certificate:

CE FCC

current:

100A

Type:

Energy Digital Kwh Meter

Display:

LCD

Frequency:

45-65Hz

Weight:

159g

Power factor:

0~1PF

Accessory:

split CT

Starting current (A):

0.001A

Product Type	PZEM-022
Current Range	0-100A (with open CT)
Voltage Range	AC 80-260V
Function	1.Measure voltage, current, active power, energy, frequency, power factor 2. Overload alarm 3. Power alarm threshold preset 4. Reset energy 5. Store data when power off. 6. Large-screen LCD 7. Backlight function.
Weight	159g

PZEM-022 Display

Voltage
Range: 80~260V
Format: 80~260V

Amp
Range: 0~100A
< 10A format: 0.000~9.000A
≥ 10A format: 10.00~99.99A



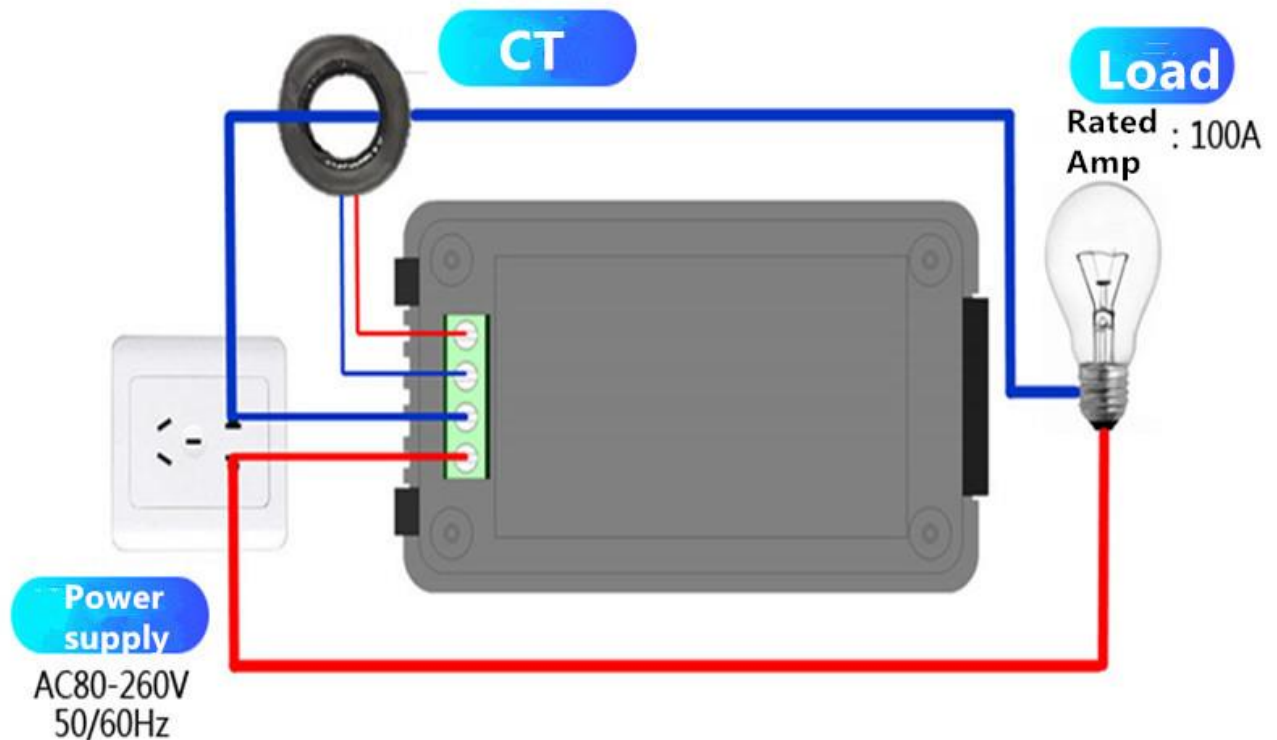
Frequency
Range: 45~65Hz
Format: 45~65Hz

Power factor
Range: 0~1PF
Format: 0.00~1.00PF

Power
Range: 0~22000W
< 10W format: 1.00~9.99W
< 100W format: 10.0~99.9W
< 1000W format: 100~999W
< 10000W format: 1.00~9.90kW
≥ 10000W format: 10.0~22.0kW

Energy
Range: 0~999kWh
< 1kWh format: 0~999Wh
< 10kWh format: 1.00~9.99kWh
≥ 10kWh format: 10~999kWh

Wiring Diagram



Reset energy

Step1: Long press the key for 5 seconds until the energy value flash, then release the key.

Step2: Short press the key, energy value is cleared and exit the reset flashing state.

Step3: If there is no operate within 5 seconds, it is not cleared, will exit reset state.

Set power alarm threshold

Step1: Long press the key until the LCD display "SET CLr", then release the key to enter the setting state

Step2: Power area display power alarm value and the last digit begin to flash, short press to plus 1,

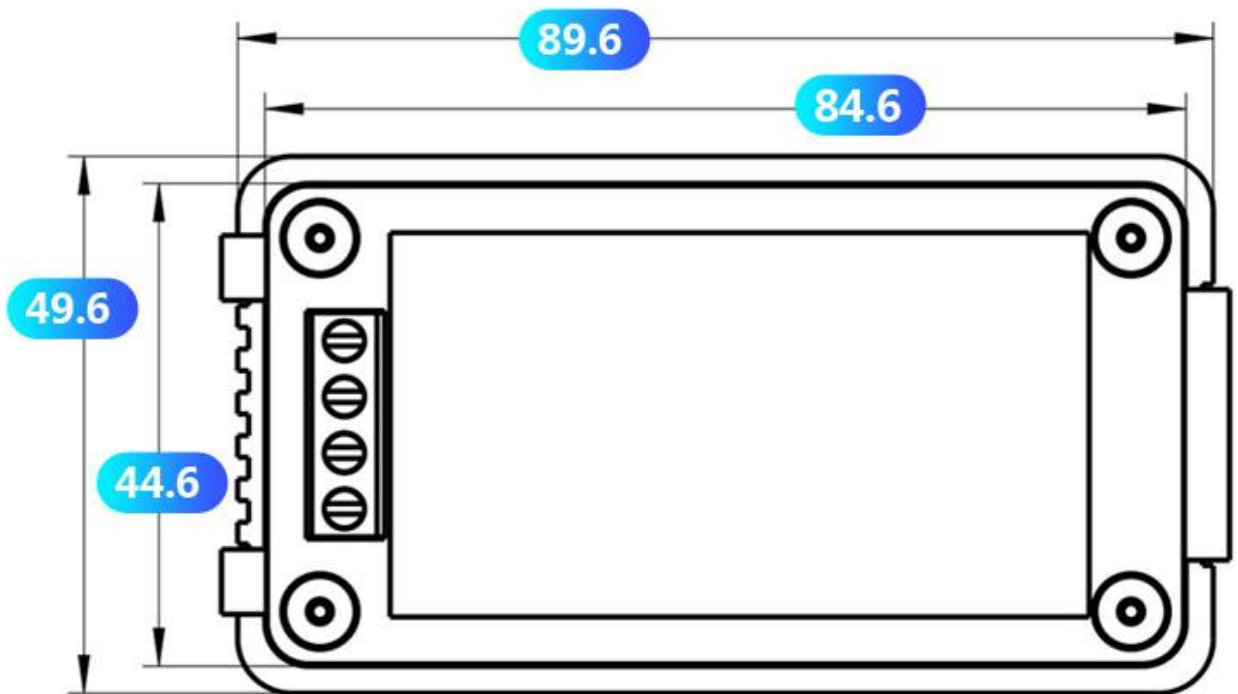
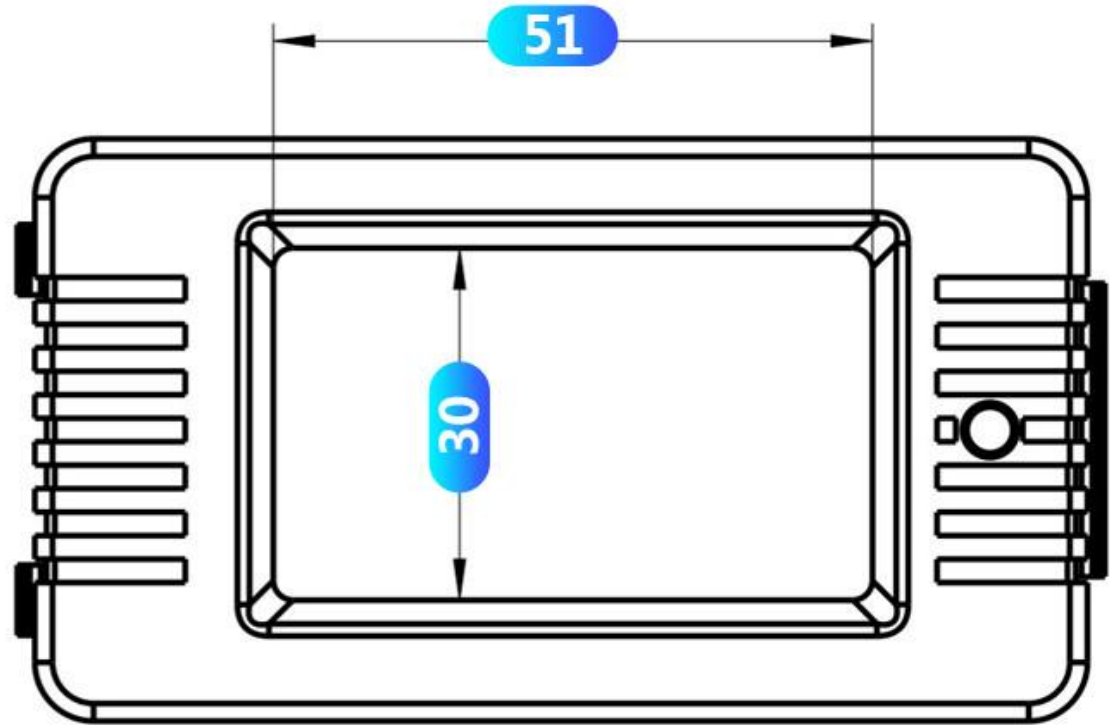
If no operate over 3 secs, it will switch digit position automatically, the setting method is as same as above.

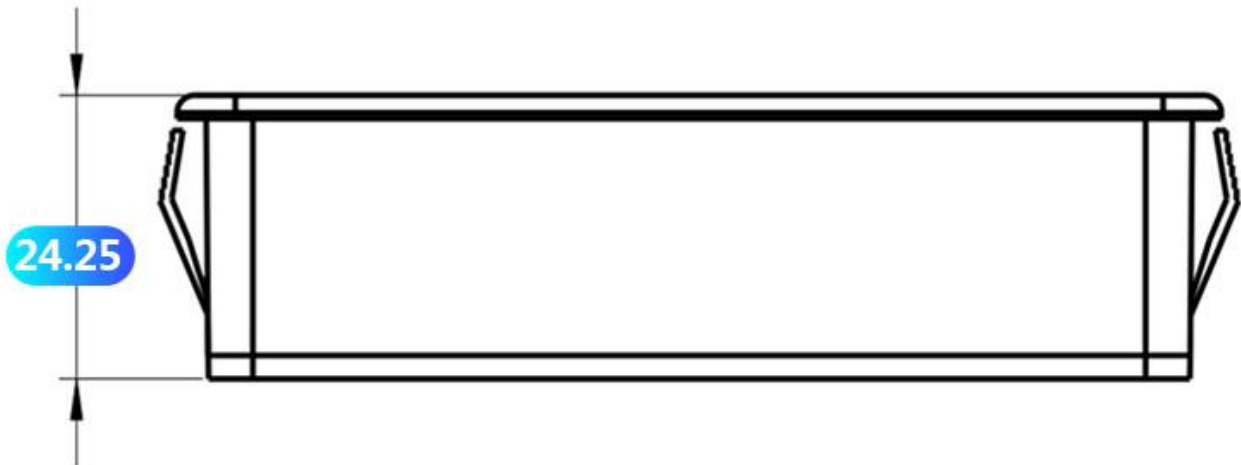
Step3: After finish setting, long press the key over 5 secs to store automatically and exit, the range of power threshold is 0.0~22kW.

Backlight control

Short press the key to turn on or off the backlight, the backlight has memory function, it can store the on or off state when power off.

Body Size(mm)





Hole Size(mm)

