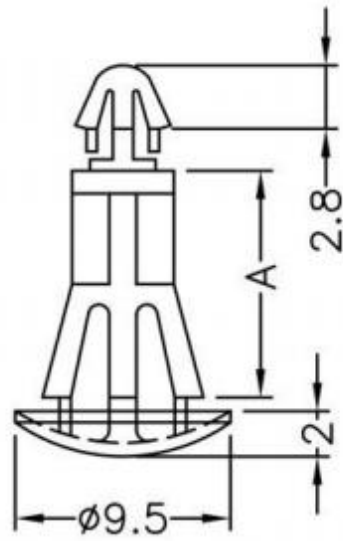


FOR P.C.B $\phi 3.0$
PCB THICKNESS: 1.2~1.7



FOR CHASSIS $\phi 5.5$
PCB THICKNESS: 0.6~1.2

A=10mm