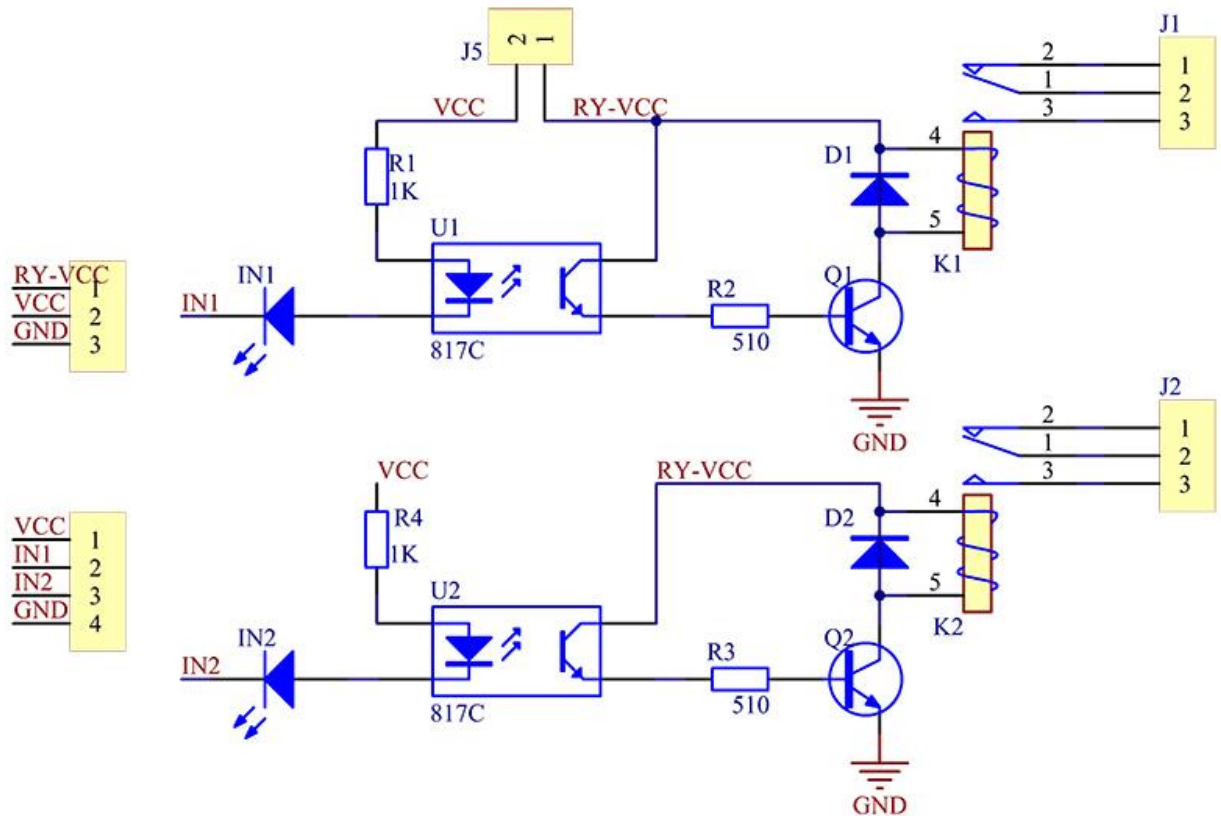


- Relay Maximum output: DC 30V/10A, AC 250V/10A
- 2 Channel Relay Module with Optocoupler LOW Level Triger expansion board, which is compatible with arduino
- Standard interface that can be controlled directly by microcontroller ( 8051, AVR, \*PIC, DSP, ARM, ARM, MSP430, TTL logic)
- Relay of high quality loose music relays SPDT. A common terminal, a normally open, one normally closed terminal
- optocoupler isolation, good anti-jamming



VCC : Connected to positive supply voltage (supply power according to relay voltage)

GND : Connected to negative supply voltage

IN1: Signal triggering terminal 1 of relay module

IN2: Signal triggering terminal 2 of relay module