

## Product Description

Specification parameter

Shell material: thermoplastic PA66

Insulator: thermoplastic PPS high temperature resistant 260

Contact material: copper (gold plated, silver plated)

Sealing ring: silica gel

Housing gender: male female seat

Connection: thread connection

Operating temperature: -35 degrees C~110 degrees C

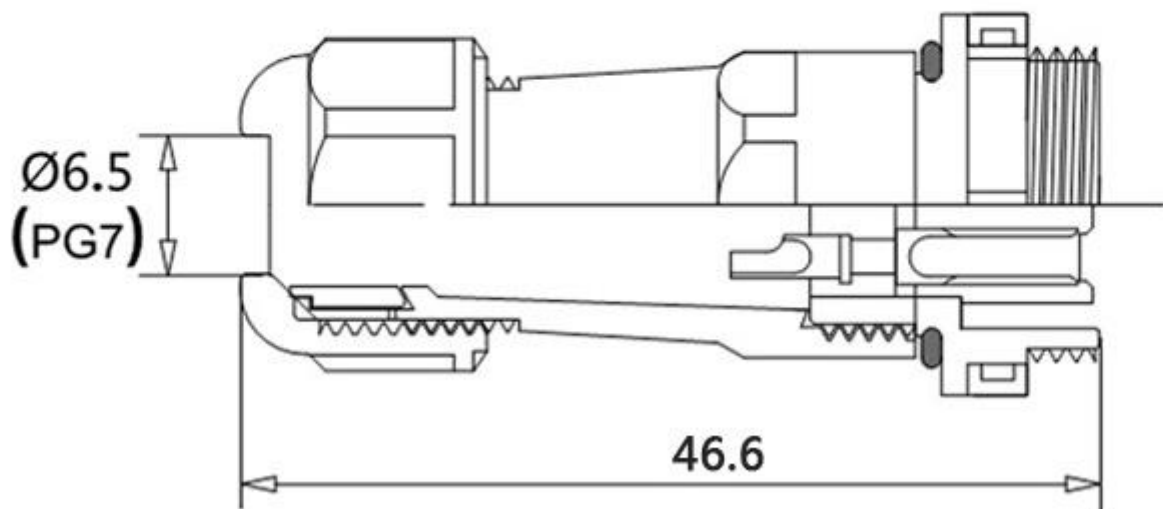
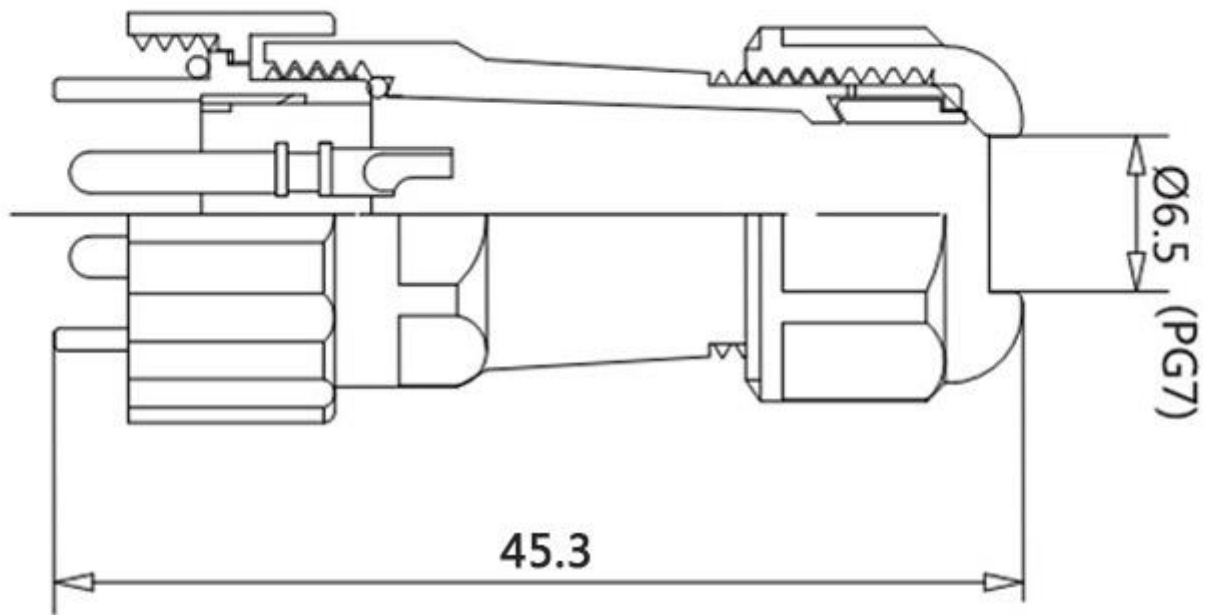
Relative humidity: 90%~95% (40 + 2 degrees C)


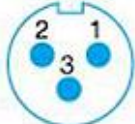

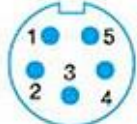

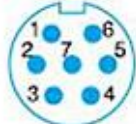

Sealing: in line with IP68

Applicable wire diameter: diameter 3.0~6.5mm

Mechanical life: more than 500 times

# SP1310 Docking Size



芯数 Number of cores	2芯	3芯	4芯	5芯	6芯	7芯	9芯	
插针绝缘体 正面图 Male contact face view								
额定电流 Rated current(A)	13A	13A	5A	5A	5A	5A	3A	
接触件直径 Contact with a diameter ( OD	Φ 1.6x2	Φ 1.6x3	Φ 1.0x4	Φ 1.0x5	Φ 1.0x6	Φ 1.0x7	Φ 0.7x9	
额定电压 Rated voltage(V)	250V	250V	250V	250V	125V	125V	125V	
接触电阻(mΩ) Contact resistance mΩ	2	2	5	5	5	5	10	
耐压(AC.V)1min The withstand voltage (AC. V) 1 min	1500V	1500V	1500V	1500V	1000V	1000V	800V	
绝缘电阻(mΩ) Insulation resistance (mΩ)	2000	2000	2000	2000	2000	2000	2000	
线材匹配 Wire Gague	RVV	≤1.5mm <sup>2</sup>	≤1.5mm <sup>2</sup>	≤0.5mm <sup>2</sup>	≤0.5mm <sup>2</sup>	≤0.5mm <sup>2</sup>	≤0.5mm <sup>2</sup>	≤0.35mm <sup>2</sup>
	AWG	≤2/14	≤2/14	≤0.785/18	≤0.785/18	≤0.785/18	≤0.785/18	≤0.785/18
线材外径 Cable OD	3.0-6.5MM / 5-8MM							
可插拔次数 Mechanical Life	≥500 mating cycles							
工作温度 Operating Rating	-25 ~ 85°C、PA66=-40 ~ 105°C							
防水等级 Waterproof Level	IP67、IP68							

Details Images

