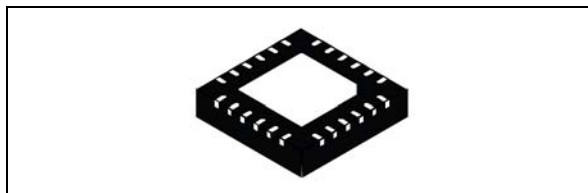


## USB Type-C™ controller with TX/RX line driver and BMC

Datasheet - production data



- Compliant with:
  - USB Type-C™ rev 1.2
  - USB PD rev 2.0 (Certif. test ID 1010032)
- Compatible with:
  - USB PD rev 3.0

### Features

- Type-C™ attach and cable orientation detection
- Power role support: source/sink/DRP
- Configurable start-up profiles
- Integrated power switch for  $V_{CONN}$  supply:
  - programmable current limit up to 600 mA
  - overcurrent, overvoltage, and thermal protection
  - under-voltage lockout
- I<sup>2</sup>C interface and interrupt
- Integrated  $V_{BUS}$  voltage monitoring
- Integrated  $V_{BUS}$  and  $V_{CONN}$  discharge path
- Integrated BMC transceiver
- $V_{BUS}$  switch gate driver
- Low power standby mode
- Dead battery mode support
- Short-to- $V_{BUS}$  protection on CC pins (22 V) and  $V_{BUS}$  pins (28 V)
- Accessory mode support
- Dual power supply ( $V_{SYS}$  and/or  $V_{DD}$ ):
  - $V_{SYS}$  = [3.0 V; 5.5 V]
  - $V_{DD}$  = [4.1 V; 22 V]

### Applications

- Smart plugs, wall adapters, and chargers
- Power hubs and docking stations
- Smartphones and tablets
- Gaming and PNDs
- Displays
- Cameras, camcorders, and MP3 players
- Any Type-C source or sink device

### Description

The STUSB1602 is a generic IC designed in a 20 V technology. It addresses USB Type-C™ port management both on the host and/or device side, and is suited for a broad range of applications.

The STUSB1602 can handle all functions from Type-C attach detection, plug orientation detection, host to device connection,  $V_{CONN}$  support, and  $V_{BUS}$  configuration.

It also provides a USB PD TX/RX line driver and BMC (biphase mark coding) transceiver which allows USB PD negotiation and alternative mode through an external MCU.

Additionally, the STUSB1602 provides support for dead battery operation.

**Table 1. Device summary**

Order code	USB PD	Package	Temperature range	Marking
STUSB1602QTR	SOURCE, SINK	QFN24 EP 4x4 mm	- 40 °C up to 105 °C	1602
STUSB1602AQTR	SOURCE, SINK, DRP			1602A

# Contents

<b>1</b>	<b>Functional description</b>	<b>5</b>
<b>2</b>	<b>Inputs/outputs</b>	<b>6</b>
2.1	Pinout	6
2.2	Pin list	6
2.3	Pin description	8
2.3.1	CC1/CC2	8
2.3.2	CC1DB/CC2DB	8
2.3.3	VCONN	8
2.3.4	RESET	9
2.3.5	I <sup>2</sup> C interface pins	9
2.3.6	GND	9
2.3.7	MOSI	9
2.3.8	NSS	9
2.3.9	MISO	9
2.3.10	TX_EN	9
2.3.11	SCLK	10
2.3.12	A_B_SIDE	10
2.3.13	VBUS_SENSE	10
2.3.14	VBUS_EN_SNK	10
2.3.15	VBUS_EN_SRC	10
2.3.16	VREG1V2	10
2.3.17	VSYS	10
2.3.18	VREG2V7	10
2.3.19	VDD	11
<b>3</b>	<b>Features description</b>	<b>12</b>
3.1	CC interface	12
3.2	BMC interface	13
3.2.1	BMC interface behavior	13
3.2.2	TX mode	13
3.2.3	RX mode	14
3.3	V <sub>BUS</sub> power path control	14
3.3.1	V <sub>BUS</sub> monitoring	14

3.3.2	V <sub>BUS</sub> discharge	15
3.3.3	V <sub>BUS</sub> power path assertion	15
3.4	V <sub>CONN</sub> supply	17
3.4.1	V <sub>CONN</sub> input voltage	17
3.4.2	V <sub>CONN</sub> application conditions	17
3.4.3	V <sub>CONN</sub> monitoring	17
3.4.4	V <sub>CONN</sub> discharge	17
3.4.5	V <sub>CONN</sub> control and status	17
3.4.6	V <sub>CONN</sub> power switches	18
3.5	Low power standby mode	19
3.6	Dead battery mode	20
3.7	High voltage protection	20
3.8	Hardware fault management	20
3.9	Accessory mode detection	21
3.9.1	Audio accessory mode detection	21
3.9.2	Debug accessory mode detection	21
<b>4</b>	<b>Managing USB PD transactions</b>	<b>23</b>
<b>5</b>	<b>I<sup>2</sup>C interface</b>	<b>24</b>
5.1	Read and write operations	24
5.2	Timing specifications	25
5.3	I <sup>2</sup> C register map	26
<b>6</b>	<b>Start-up configuration</b>	<b>28</b>
6.1	User-defined parameters	28
6.2	Default start-up configuration	28
<b>7</b>	<b>Application</b>	<b>30</b>
7.1	General information	30
7.1.1	Power supplies	30
7.1.2	Connection to MCU or application processor	30
7.2	USB Type-C typical applications	31
7.2.1	Source type application	31
7.2.2	Sink type application	35
7.2.3	Dual role type application	40

---

<b>8</b>	<b>Electrical characteristics</b> .....	<b>45</b>
8.1	Absolute maximum ratings .....	45
8.2	Operating conditions .....	46
8.3	Electrical and timing characteristics .....	47
<b>9</b>	<b>Package information</b> .....	<b>50</b>
9.1	QFN24 EP 4x4 mm package information .....	50
9.2	Thermal Information .....	52
9.3	Packing information .....	52
<b>10</b>	<b>Terms and abbreviations</b> .....	<b>53</b>
<b>11</b>	<b>Revision history</b> .....	<b>54</b>

# 1 Functional description

The STUSB1602 is a USB Type-C controller IC. It is designed to interface with the Type-C receptacle both on host and/or device sides. It is used to establish and manage the source-to-sink connection between two USB Type-C host and device ports.

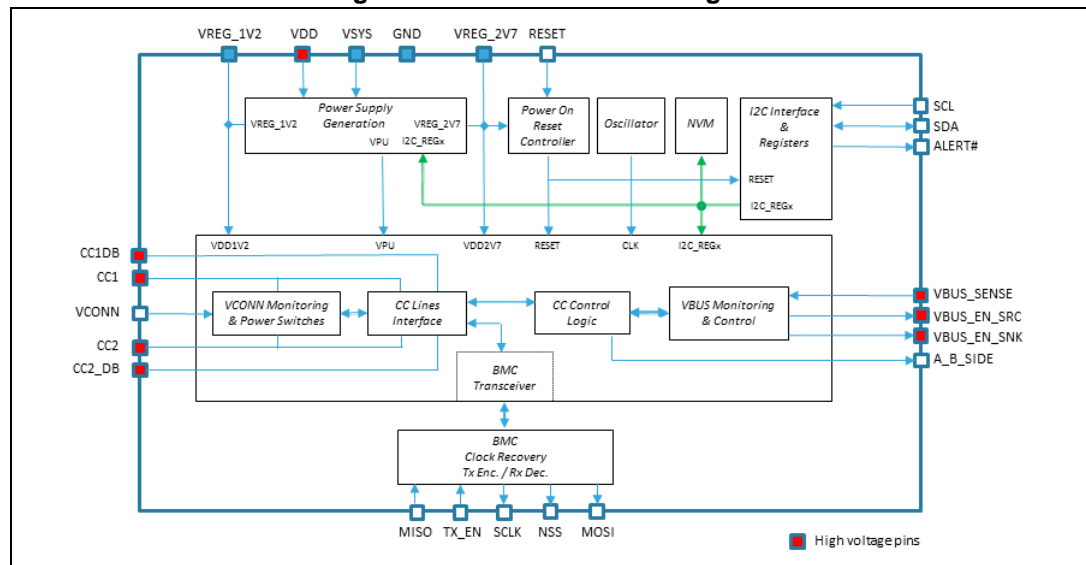
**The major role of the STUSB1602 is to:**

1. Detect the connection between two USB Type-C ports (attach detection)
2. Establish a valid source-to-sink connection
3. Determine the attached device mode: source, sink or accessory
4. Resolve cable orientation and twist connections to establish USB data routing (mux control).
5. Configure and monitor the  $V_{BUS}$  power path
6. Manage  $V_{BUS}$  power capability: USB default, Type-C medium or Type-C high current mode.
7. Configure  $V_{CONN}$  when required
8. Support USB PD negotiation

**The STUSB1602 also provides:**

1. Low power standby mode
2. Dead battery mode
3. I<sup>2</sup>C interface and interrupt
4. Start-up configuration customization: static through NVM and/or dynamic through I<sup>2</sup>C
5. High voltage protection
6. Accessory mode detection

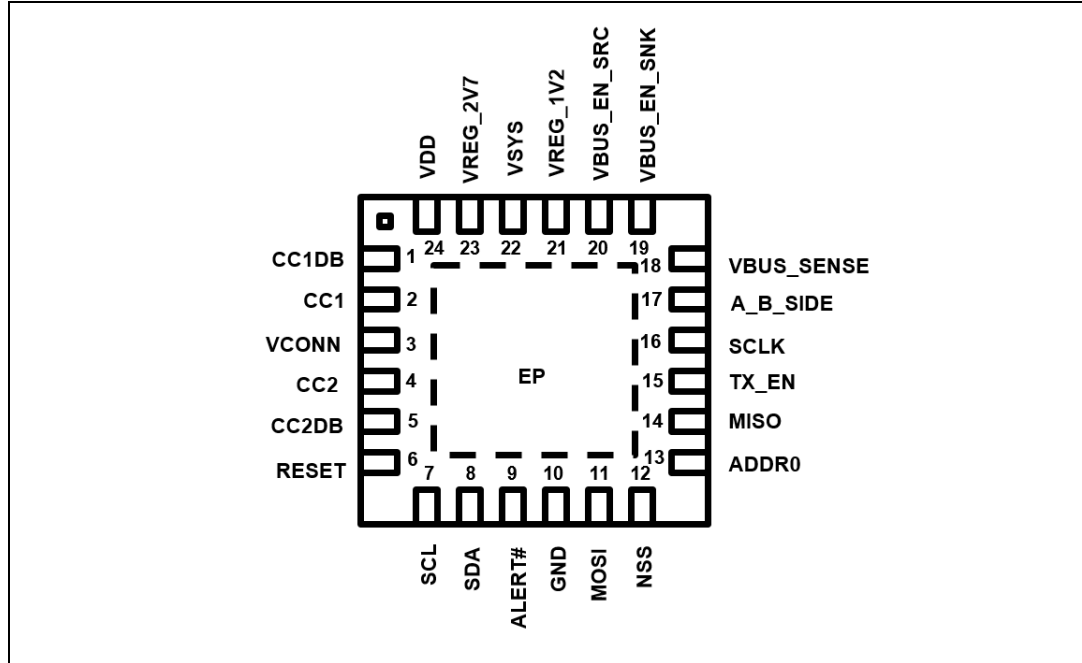
**Figure 1. Functional block diagram**



## 2 Inputs/outputs

### 2.1 Pinout

Figure 2. STUSB1602 pin connections



### 2.2 Pin list

Table 2. Pin function list

Pin	Name	Type	Description	Typical Connection
1	CC1DB	HV AIO	Dead battery enable on CC1 pin	CC1 pin if used or ground
2	CC1	HV AIO	Type-C configuration channel 1	Type-C receptacle A5
3	VCONN	PWR	Power input for active plug	5 V power source
4	CC2	HV AIO	Type-C configuration channel 2	Type-C receptacle B5
5	CC2DB	HV AIO	Dead battery enable on CC2 pin	CC2 pin if used or ground
6	RESET	DI	Reset input (active high)	—
7	SCL	DI	I <sup>2</sup> C clock input	To I <sup>2</sup> C master, ext. pull-up
8	SDA	DI/OD	I <sup>2</sup> C data input/output, active low open drain	To I <sup>2</sup> C master, ext. pull-up
9	ALERT#	OD	I <sup>2</sup> C interrupt, active low open drain	To I <sup>2</sup> C master, ext. pull-up
10	GND	GND	Ground	Ground

Table 2. Pin function list

11	MOSI	DO	Master out slave in: serial data from STUSB1602 to MCU, BMC decoded from connected CC line	To MCU, ext. pull-up referenced to MCU Vio
12	NSS	OD	Chip select, open drain active low to control MCU SPI/MSP interface	To MCU, ext. pull-up referenced to MCU Vio
13	ADDR0	DI	I <sup>2</sup> C device address setting (see <a href="#">Section 5: I<sup>2</sup>C interface</a> )	Static
14	MISO	DI	Master in slave out: serial data from MCU to STUSB1602 encoded in BMC to drive the CC line	From MCU, ext. pull-up referenced to MCU Vio
15	TX_EN	DI	TX enable, open drain active high to drive CC line from the embedded BMC interface	From MCU, needs to be maintained low by MCU or pulled down when receiving standby
16	SCLK	DO	Serial clock to clock data transfer between MCU and STUSB1602. Open drain output pin, needs external pull-up referenced to MCU Vio	To MCU, ext. pull-up referenced to MCU Vio
17	A_B_SIDE	OD	Cable orientation, active low open drain	USB super speed mux select, ext. pull-up
18	VBUS_SENSE	HV AI	V <sub>BUS</sub> voltage monitoring and discharge path	From V <sub>BUS</sub>
19	VBUS_EN_SNK	HV AIO	V <sub>BUS</sub> sink power path enable, active low open drain	To switch or power system, ext. pull-up
20	VBUS_EN_SRC	HV AIO	V <sub>BUS</sub> source power path enable, active low open drain	To switch or power system, ext. pull-up
21	VREG_1V2	PWR	1.2 V internal regulator output	1 μF typ. decoupling capacitor
22	VSYS	PWR	Power supply from system	From power system, connect to ground if not used
23	VREG_2V7	PWR	2.7 V internal regulator output	1 μF typ. decoupling capacitor
24	VDD	HV PWR	Main power supply from USB power line	From V <sub>BUS</sub>
—	EP	GND	Exposed pad is connected to ground	To ground

Table 3. Pin function descriptions

Type	Description
D	Digital
A	Analog
O	Output pad
I	Input pad
IO	Bidirectional pad
OD	Open drain output
PD	Pull-down
PU	Pull-up
HV	High voltage
PWR	Power supply
GND	Ground

## 2.3 Pin description

### 2.3.1 CC1/CC2

CC1 and CC2 are the configuration channel pins used for connection and attachment detection, plug orientation determination, and system configuration management across the USB Type-C cable.

### 2.3.2 CC1DB/CC2DB

CC1DB and CC2DB are used for dead battery mode when the STUSB1602 is configured in sink power role or dual power role. This mode is enabled by connecting CC1DB and CC2DB respectively to CC1 and CC2. Thanks to this connection, the pull down terminations on the CC pins are present by default even if the device is not supplied (see [Section 3.6: Dead battery mode](#)).

---

**Warning:** CC1DB and CC2DB must be connected to ground when the STUSB1602 is configured in source power role or when dead battery mode is not supported.

---

### 2.3.3 VCONN

This power input is connected to a power source that can be a 5 V power supply or a lithium battery. It is used to provide power to the local plug. It is internally connected to power switches that are protected against short circuit and overvoltage. This does not require any protection on the input side. When a valid source-to-sink connection is determined and the V<sub>CONN</sub> power switches are enabled, V<sub>CONN</sub> is provided by the source to the unused CC pin (see [Section 3.4: V<sub>CONN</sub> supply](#)).



### 2.3.4 RESET

Active high reset

### 2.3.5 I<sup>2</sup>C interface pins

**Table 4. I<sup>2</sup>C interface pin list**

Name	Description
SCL	I <sup>2</sup> C clock, need external pull-up
SDA	I <sup>2</sup> C data, need external pull-up
ALERT#	I <sup>2</sup> C interrupt, need external pull-up
ADDR0	I <sup>2</sup> C device address bit (see <a href="#">Section 5: I<sup>2</sup>C interface</a> )

### 2.3.6 GND

Ground

### 2.3.7 MOSI

Master out slave in: data from the connected CC line are decoded using the BMC and then transmitted via the STUSB1602 to the MCU. Data are valid on the **falling** edge of the SCLK line and must be sampled by the MCU on this edge.

### 2.3.8 NSS

The chip select signal is driven by the STUSB1602 and is connected to the MCU. It activates the SPI/MSP interface transfer. The NSS signal drives the MCU so that:

- When TX\_EN is asserted (TX mode), the STUSB1602 transmits data from the MCU over the CC line. Note, the MCU must provide data to be encoded on the MISO line which must be in synchrony with the SCLK.
- When TX\_EN is not asserted (RX mode, default), the CC line is activity detected, data are received, and the BMC is decoded by the STUSB1602. Decoded data are sent on the MOSI line in synchrony with the SCLK

### 2.3.9 MISO

Master in slave out: data from the MCU are encoded using the BMC and then transmitted via the STUSB1602 to the connected CC line driver. Data are sampled by the STUSB1602 on the **rising** edge of the SCLK line and must be stable on this edge.

### 2.3.10 TX\_EN

TX\_EN is a control signal from the MCU to the STUSB1602. It enables the BMC control logic that transfers data from the MCU serial interface, encodes it in BMC format, and drives the connected CC line.

*Note:* TX mode overrides RX mode.

### 2.3.11 SCLK

The serial clock signal from the STUSB1602 drives the SPI/MSP interface of the MCU and the clock data on the MISO and MOSI pins.

### 2.3.12 A\_B\_SIDE

This output pin provides cable orientation. It is used to establish USB SuperSpeed signal routing. The cable orientation is also provided by an internal I<sup>2</sup>C register. This signal is not required in the case of USB 2.0 support.

**Table 5. USB data mux select**

Value	CC pin position
HiZ	CC1 pin is attached to CC line
0	CC2 pin is attached to CC line

### 2.3.13 VBUS\_SENSE

This input pin is used to sense  $V_{BUS}$  presence, monitor  $V_{BUS}$  voltage, and discharge the  $V_{BUS}$  on the USB Type-C receptacle side.

### 2.3.14 VBUS\_EN\_SNK

In sink power role, this pin allows the incoming  $V_{BUS}$  power to be enabled when the connection to a source is established and  $V_{BUS}$  is in a valid operating range. The open drain output allows a PMOS transistor to be directly driven. The logic value of the pin is also advertised in a dedicated I<sup>2</sup>C register bit.

### 2.3.15 VBUS\_EN\_SRC

In source power role, this pin allows the outgoing  $V_{BUS}$  power to be enabled when the connection to a sink is established and  $V_{BUS}$  is in a valid operating range. The open drain output allows a PMOS transistor to be directly driven. The logic value of the pin is also advertised in a dedicated I<sup>2</sup>C register bit.

### 2.3.16 VREG1V2

This pin is used for external decoupling of the 1.2 V internal regulator. The recommended decoupling capacitor is: 1  $\mu$ F typ. (0.5  $\mu$ F min, 10  $\mu$ F max).

### 2.3.17 VSYS

This is the low power supply of the system, if there is any. It can be connected directly to a single cell Lithium battery or to the system power supply delivering 3.3 V or 5 V. It is recommended to connect this pin to ground when it is not used.

### 2.3.18 VREG2V7

This pin is used for external decoupling of the 2.7 V internal regulator. The recommended decoupling capacitor is: 1  $\mu$ F typ. (0.5  $\mu$ F min, 10  $\mu$ F max).

### 2.3.19 VDD

This is the power supply from the USB power line for applications powered by  $V_{BUS}$ .

In source power role, this pin can be used to sense the voltage level of the main power supply providing the  $V_{BUS}$ . It allows UVLO and OVLO thresholds to be considered independently on the VDD pin as additional conditions to enable the  $V_{BUS}$  power path through the VBUS\_EN\_SRC pin (see [Section 3.3.3:  \$V\_{BUS}\$  power path assertion](#)). When the UVLO threshold detection is enabled, the VDD pin must be connected to the main power supply to establish the connection and to assert the  $V_{BUS}$  power path.

## 3 Features description

### 3.1 CC interface

The STUSB1602 controls the connection to the configuration channel (CC) pins, CC1 and CC2, through two main blocks: the CC line interface block and the CC control logic block.

**The CC line interface block is used to:**

- Configure termination mode on the CC pins relative to the power mode supported i.e. pull-up for source power role and pull-down for sink power role.
- Monitor the CC pin voltage values relative to the attachment detection thresholds
- Configure  $V_{CONN}$  on the unconnected CC pin when required
- Protect the CC pins against overvoltage

**The CC control logic block is used to:**

- Execute the Type-C FSM relative to the Type-C power mode supported
- Determine the electrical state for each CC pin relative to the detected thresholds
- Evaluate the conditions relative to the CC pin states and the  $V_{BUS}$  voltage value to transition from one state to another in the Type-C FSM.
- Detect and establish a valid source-to-sink connection
- Determine the attached device mode: source, sink or accessory
- Determine cable orientation to allow external routing of the USB data
- Manage  $V_{BUS}$  power capability: USB default, Type-C medium or Type-C high current mode.
- Handle hardware faults

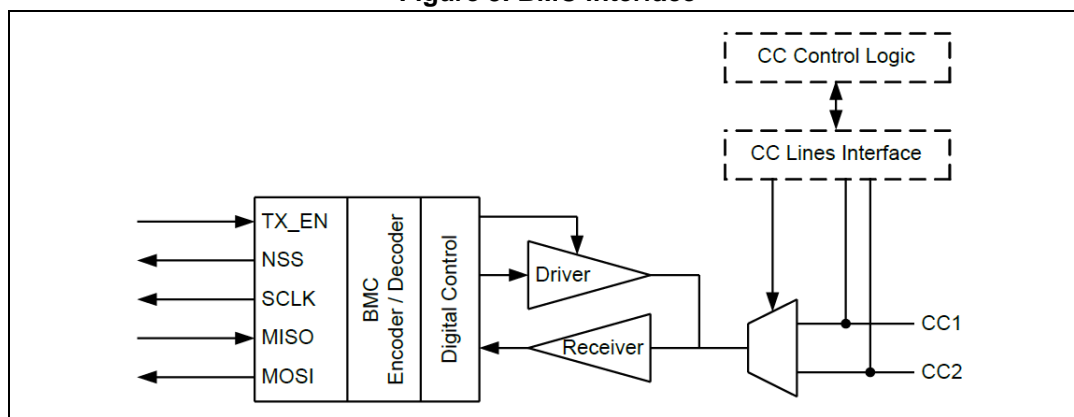
**The CC control logic block implements the Type-C FSMs corresponding to the following Type-C power modes:**

- Source power role with accessory support
- Sink power role with accessory support
- Sink power role without accessory support
- Dual power role with accessory support
- Dual power role with accessory and Try.SRC support
- Dual power role with accessory and Try.SNK support

The default Type-C power mode is selected through NVM programming (see [Section 6: Start-up configuration](#)) and can be changed by software during operation through the I<sup>2</sup>C interface.

## 3.2 BMC interface

Figure 3. BMC interface



### 3.2.1 BMC interface behavior

When a connection is established on the STUSB1602 (any attached state), the CC line used for connection is also internally connected to BMC block which allows communication on this line.

The CC line is primary managed by CC control logic. BMC communication on the CC line must not interact with this control logic, as driving times of the line are short and are related to denounce times of the CC logic.

The BMC block handles BMC encoding and decoding. It also handles CC line activity detection, discharging the external MCU of such operations.

The default state of the BMC block is to listen to the line (RX mode). TX mode is enabled only by assertion of the TX\_EN signal via the external MCU.

### 3.2.2 TX mode

When the TX\_EN signal is asserted via the MCU, the BMC block goes to the TX state:

- The NSS signal is driven low, indicating to the SPI/MSP slave interface of the MCU that data are being transmitted on the CC line. The MCU provides the data.
- The STUSB1602 drives the NSS signal low, indicating to the SPI/MSP slave interface of the MCU that data are requested on the MISO line.
- The STUSB1602 clocks the SCLK signal
- The MCU presents data to be transmitted on the MISO line and data are sampled on the rising edge of SCLK (data must be stable on this edge).
- Sampled data (from the MISO line) are encoded by the BMC, and the resulting values drive the CC line according to USB PD standard.

When all data are transmitted, the MCU drives the TX\_EN pin low, which signals the end of transmission. The STUSB1602 ends transmission with a corresponding trailing edge termination. It then goes back into to default state and releases the CC line from the BMC driver to the pull-up/pull-down CC line interfaces.

### 3.2.3 RX mode

RX mode is the default state of the BMC interface.

In this mode, the receiver listens to the connected CC line. It does not interface with the CC line interfaces or the CC control logic.

When all data are detected and received on the CC line, according to the activity described in the USB Power Delivery Standard, the BMC interface:

- Drives the NSS signal low
- Outputs the clock on the SCLK signal which is recovered from the BMC signal
- Outputs recovered data (from the BMC signal) on the MOSI line to the connected MCU. Data are valid on the SCLK falling edge and are sampled on this edge by the SPI/MSP interface of the MCU.

When no more data are detected on the CC line, the NSS goes back to “high” which is its default state. This indicates to the MCU that no more activity is present on the bus.

## 3.3 V<sub>BUS</sub> power path control

### 3.3.1 V<sub>BUS</sub> monitoring

The V<sub>BUS</sub> monitoring block supervises (from the VBUS\_SENSE pin) the V<sub>BUS</sub> voltage on the USB Type-C receptacle side.

It is used to check that the V<sub>BUS</sub> is within a valid voltage range:

- To establish a valid source-to-sink connection according to USB Type-C standard specifications.
- To safely enable the V<sub>BUS</sub> power path through the VBUS\_EN\_SRC pin or VBUS\_EN\_SNK pin depending on the power role.

It allows detection of unexpected V<sub>BUS</sub> voltage conditions such as under-voltage or overvoltage relative to the valid V<sub>BUS</sub> voltage range. When such conditions occur, the STUSB1602 reacts as follows:

- At attachment, it prevents the source-to-sink connection and the V<sub>BUS</sub> power path assertion.
- After attachment, it deactivates the source-to-sink connection and disables the V<sub>BUS</sub> power path. In source power role, the device goes into error recovery state. In Sink power role, the device goes into unattached state.

The V<sub>BUS</sub> voltage value is adjusted automatically at attachment (vSafe5V) and via the MCU at each PDO transition. Monitoring is then disabled during T\_PDO\_transition (i.e. the default value of 300 ms is changed through NVM programming). Additionally, if a transition occurs to a lower voltage, the discharge path is activated during this time.

The valid V<sub>BUS</sub> voltage range is defined from the V<sub>BUS</sub> nominal voltage by a high threshold voltage and a low threshold voltage whose nominal values are respectively V<sub>BUS</sub>+5% and V<sub>BUS</sub>-5%. The nominal threshold limits can be shifted by a fraction of V<sub>BUS</sub> from +1% to +15% for the high threshold voltage and from -1% to -15% for the low threshold voltage. This means the threshold limits can vary from V<sub>BUS</sub>+5% to V<sub>BUS</sub>+20% for the high limit and from V<sub>BUS</sub>-5% to V<sub>BUS</sub>-20% for the low limit.

The threshold limits are preset by default in the NVM with different shift coefficients depending on whether the device operates in source power role or in sink power role (see [Section 8.3: Electrical and timing characteristics](#)). The threshold limits can be changed independently through NVM programming (see [Section 6: Start-up configuration](#)) and also by software during attachment through the I<sup>2</sup>C interface.

### 3.3.2 V<sub>BUS</sub> discharge

The monitoring block also handles the internal V<sub>BUS</sub> discharge path connected to the VBUS\_SENSE pin. The discharge path is activated at detachment, or when the device goes into the error recovery state whatever the power role (see [Section 3.8: Hardware fault management](#)).

The V<sub>BUS</sub> discharge path is enabled by default in the NVM and can be disabled through NVM programming only (see [Section 6: Start-up configuration](#)). The discharge time duration is also preset by default in the NVM (see [Section 8.3: Electrical and timing characteristics](#)). The discharge time duration can be changed through NVM programming (see [Section 6: Start-up configuration](#)) and also by software through the I<sup>2</sup>C interface.

### 3.3.3 V<sub>BUS</sub> power path assertion

The STUSB1602 can control the assertion of the V<sub>BUS</sub> power path on the USB Type-C port, directly or indirectly, through the VBUS\_EN\_SRC and VBUS\_EN\_SNK pins according to the system power role.

The tables below summarize the configurations and the conditions that determine the electrical value of the VBUS\_EN\_SRC and VBUS\_EN\_SNK pins during system operation.

**Table 6. Conditions for V<sub>BUS</sub> power path assertion in source power role**

Pin	Electrical value	Operation conditions			Comment
		Type-C attached state	VDD pin monitoring	VBUS_SENSE pin monitoring	
VBUS_EN_SRC	0	Attached.SRC or UnorientedDebug Accessory.SRC or OrientedDebug Accessory.SRC	VDD > UVLO if VDD_UVLO enabled and/or VDD < OVLO if VDD_OVLO enabled	V <sub>BUS</sub> is within valid voltage range if VBUS_VALID_RANGE enabled or V <sub>BUS</sub> > UVLO if VBUS_VALID_RANGE disabled	The signal is asserted only if all the valid operation conditions are met
	HiZ	Any other state	VDD < UVLO if VDD_UVLO enabled and/or VDD > OVLO if VDD_OVLO enabled	V <sub>BUS</sub> is out of valid voltage range if VBUS_VALID_RANGE enabled or V <sub>BUS</sub> < UVLO if VBUS_VALID_RANGE disabled	The signal is de-asserted when at least one non valid operation condition is met

As specified in the USB Type-C standard specification, the attached state “Attached.SRC” is reached only if the voltage on the  $V_{BUS}$  receptacle side is at vSafe0V condition when a connection is detected.

**Table 7. Conditions for  $V_{BUS}$  power path assertion in sink power role**

Pin	Electrical value	Operation conditions			Comment
		Type-C attached state	VDD pin monitoring	VBUS_SENSE pin monitoring	
VBUS_EN_SNK	0	Attached.SNK or Debug Accessory.SNK	Not applicable	VBUS is within valid voltage range if VBUS_VALID_RANGE enabled or VBUS > UVLO if VBUS_VALID_RANGE disabled	The signal is asserted only if all the valid operation conditions are met
	HiZ	Any other state	Not applicable	VBUS is out of valid voltage range if VBUS_VALID_RANGE enabled or VBUS < UVLO if VBUS_VALID_RANGE disabled	The signal is de-asserted when at least one non valid operation condition is met

“Type-C attached state” refers to the Type-C FSM states as defined in the USB Type-C standard specification and as described in the I<sup>2</sup>C register CC\_OPERATION\_STATUS.

“VDD pin monitoring” is valid only in source power role. Activation of the UVLO and OVLO threshold detections can be done through NVM programming (see [Section 6: Start-up configuration](#)) and also by software through the I<sup>2</sup>C interface. When the UVLO and/or OVLO threshold detection is activated, the VBUS\_EN\_SRC pin is asserted only if the device is attached and the valid threshold conditions on VDD are met. Once the VBUS\_EN\_SRC pin is asserted, the  $V_{BUS}$  monitoring is done on VBUS\_SENSE pin instead of the VDD pin.

“VBUS\_SENSE pin monitoring” relies, by default, on a valid  $V_{BUS}$  voltage range. The voltage range condition can be disabled to consider UVLO threshold detection instead. The monitoring condition of the  $V_{BUS}$  voltage can be changed through NVM programming (see [Section 6: Start-up configuration](#)) and also by software through the I<sup>2</sup>C interface. The VBUS\_EN\_SRC pin is maintained asserted as long as the device is attached and a valid voltage condition on the  $V_{BUS}$  is met.



## 3.4 $V_{\text{CONN}}$ supply

### 3.4.1 $V_{\text{CONN}}$ input voltage

$V_{\text{CONN}}$  is a regulated supply used to power circuits in the plug of the USB3.1 full-featured cables and other accessories. The  $V_{\text{CONN}}$  nominal operating voltage is 5.0 V  $\pm$ 5 %.

### 3.4.2 $V_{\text{CONN}}$ application conditions

The  $V_{\text{CONN}}$  pin of the STUSB1602 is connected to each CC pin (CC1 and CC2) across independent power switches.

The STUSB1602 applies  $V_{\text{CONN}}$  only to the CC pin not connected to the CC wire when all below conditions are met:

- The device is configured in source power role or dual power role
- $V_{\text{CONN}}$  power switches are enabled
- A valid connection to a sink is achieved
- Ra presence is detected on the unwired CC pin
- A valid power source is applied on the  $V_{\text{CONN}}$  pin with respect to a predefined UVLO threshold.

The STUSB1602 does not provide  $V_{\text{CONN}}$  when it is operating in sink power role.

### 3.4.3 $V_{\text{CONN}}$ monitoring

The  $V_{\text{CONN}}$  monitoring block detects whether the  $V_{\text{CONN}}$  power supply is available on the  $V_{\text{CONN}}$  pin. It is used to check that the  $V_{\text{CONN}}$  voltage is above a predefined undervoltage lockout (UVLO) threshold to allow enabling of the  $V_{\text{CONN}}$  power switches.

The default value of the UVLO threshold is 4.65 V typical for powered cables operating at 5 V. This value can be changed by software to 2.65 V typical to support  $V_{\text{CONN}}$ -powered accessories that operate down to 2.7 V.

### 3.4.4 $V_{\text{CONN}}$ discharge

The behavior of Type-C FSMs is extended with an internal  $V_{\text{CONN}}$  discharge path capability on the CC pins in source power mode only. The discharge path is activated during 250 ms from sink detachment detection. This feature is disabled by default. It can be activated through NVM programming (see [Section 6: Start-up configuration](#)) and also by software through the I<sup>2</sup>C interface.

### 3.4.5 $V_{\text{CONN}}$ control and status

The supplying conditions of  $V_{\text{CONN}}$  across the STUSB1602 are managed through the I<sup>2</sup>C interface. Different I<sup>2</sup>C registers and bits are used specifically for this purpose.

### 3.4.6 V<sub>CONN</sub> power switches

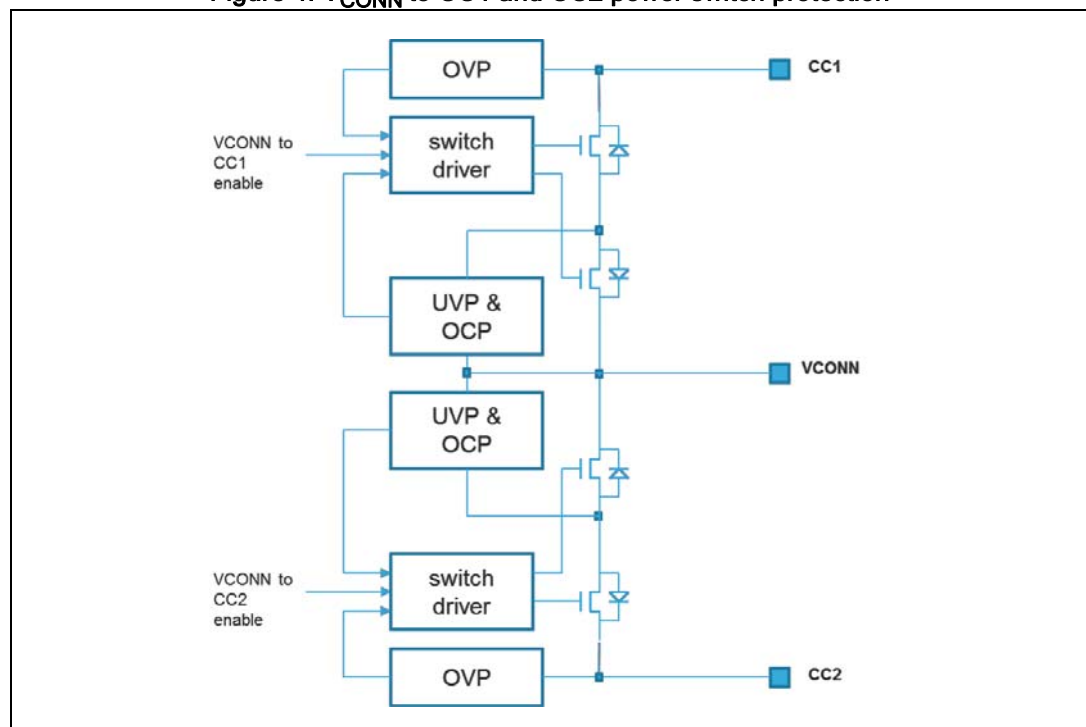
#### Features

The STUSB1602 integrates two current limited high-side power switches with protection that tolerates high voltage up to 22 V on the CC pins.

Each V<sub>CONN</sub> power switch presents the following features:

- Soft-start to limit inrush current
- Constant current mode overcurrent protection
- Adjustable current limit
- Thermal protection
- Undervoltage and overvoltage protection
- Reverse current and reverse voltage protection

Figure 4. V<sub>CONN</sub> to CC1 and CC2 power switch protection



#### Current limit programming

The current limit can be set within the range 100 mA to 600 mA by a step of 50 mA. The default current limit is programmed through NVM programming (see [Section 6: Start-up configuration](#)) and can be changed by software through the I<sup>2</sup>C interface. At power-on or after a reset, the current limit takes the default value preset in the NVM.

#### Fault management

The table below summarizes the different fault conditions that could occur during operation of the switch and the associated responses. An I<sup>2</sup>C alert is generated when a fault condition happens.

Table 8. Fault management conditions

Fault types	Fault conditions	Expected actions
Short circuit	CC output pin shorted to ground via very low resistive path causing rapid current surge	Power switch limits the current and reduces the output voltage. I <sup>2</sup> C alert is asserted immediately thanks to VCONN_SW_OCP_FAULT bits.
Overcurrent	CC output pin connected to a load that sinks current above programmed limit	Power switch limits the current and reduces the output voltage. I <sup>2</sup> C alert is asserted immediately thanks to VCONN_SW_OCP_FAULT bits.
Overheating	Junction temperature exceeding 145 °C due to any reason	Power switch is disabled immediately until the temperature falls below 145 °C minus hysteresis of 15 °C. I <sup>2</sup> C alert is asserted immediately thanks to THERMAL_FAULT bit. STUSB1602 goes into transient error recovery state.
Undervoltage	V <sub>CONN</sub> input voltage drops below UVLO threshold minus hysteresis	Power switch is disabled immediately until the input voltage rises above the UVLO threshold. I <sup>2</sup> C alert is asserted immediately thanks to VCONN_PRESENCE bit.
Overvoltage	CC output pin voltage exceeds maximum operating limit of 6.0 V	Power switch is opened immediately until the voltage falls below the voltage limit. I <sup>2</sup> C alert is asserted immediately thanks to VCONN_SW_OVP_FAULT bits.
Reverse current	CC output pin voltage exceeds V <sub>CONN</sub> input voltage when the power switch is turned-off	The reverse biased body diode of the back-to-back MOS switches is naturally disabled preventing current to flow from the CC output pin to the input.
Reverse voltage	CC output pin voltage exceeds V <sub>CONN</sub> input voltage of more than 0.35 V for 5 V when the power switch is turned-on	Power switch is opened immediately until the voltage difference falls below the voltage limit. I <sup>2</sup> C alert is asserted immediately thanks to VCONN_SW_RVP_FAULT bits.

### 3.5 Low power standby mode

The STUSB1602 proposes a standby mode to reduce the device power consumption when no device is connected to the USB Type-C port. It is disabled by default and can be activated through NVM programming (see [Section 6: Start-up configuration](#)).

When activated, the STUSB1602 enters standby mode at power up, after a reset, or after a disconnection. In this mode, the CC interface and the voltages monitoring blocks are turned off. Only a monitoring circuitry is maintained active on the CC pins to detect a connection. When the connection is detected, all the internal circuits are turned on to allow normal operation.

Standby mode does not operate when the device is configured in sink power role with accessory support (see [Section 6: Start-up configuration](#)).

### 3.6 Dead battery mode

Dead battery mode allows systems powered by a battery to be supplied by the  $V_{BUS}$  when the battery is discharged and to start the battery charging process. This mode is also used in systems that are powered through the  $V_{BUS}$  only.

Dead battery mode is only supported in sink power role and dual power role configurations. It operates only if the CC1DB and CC2DB pins are connected respectively to the CC1 and CC2 pins. Thanks to these connections, the STUSB1602 presents a pull down termination on its CC pins and advertises itself as a sink even if the device is not supplied.

When a source system connects to a USB Type-C port with the STUSB1602 configured in dead battery mode, it can detect the pull down termination, establish the source-to-sink connection, and provide the  $V_{BUS}$ . The STUSB1602 is then supplied thanks to the VDD pin connected to the  $V_{BUS}$  on the USB Type-C receptacle side. The STUSB1602 can finalize the source-to-sink connection and enable the power path on the  $V_{BUS}$  thanks to the `VBUS_EN_SNK` pin which allows the system to be powered.

### 3.7 High voltage protection

The STUSB1602 can be safely used in systems or connected to systems that handle high voltage on the  $V_{BUS}$  power path. The device integrates an internal circuitry on the CC pins that tolerates high voltages and ensures protection up to 22 V in case of unexpected short circuits with the  $V_{BUS}$  or in the case of a connection to a device supplying high voltage on the  $V_{BUS}$ .

### 3.8 Hardware fault management

The STUSB1602 handles hardware fault conditions related to the device itself and to the  $V_{BUS}$  power path during system operation.

When such conditions occur, the circuit goes into a transient error recovery state named `ErrorRecovery` in the Type-C FSM. When entering in this state, the device de-asserts the  $V_{BUS}$  power path by disabling the `VBUS_EN_SRC` pin and it removes the terminations from the CC pins during several tens of milliseconds. Then, it transitions to the unattached source state.

The STUSB1602 goes into error recovery state when at least one condition listed below is met:

- If an overtemperature is detected, the “`THERMAL_FAULT`” flag is asserted
- If an internal pull-up voltage on the CC pins is below the UVLO threshold, the “`VPU_VALID`” flag is asserted.
- If an overvoltage is detected on the CC pins, the “`VPU_OVP_FAULT`” flag is asserted
- If the  $V_{BUS}$  voltage is out of the valid voltage range during attachment, the “`VBUS_VALID`” flag is asserted.
- If an undervoltage is detected on the VDD pin during attachment when UVLO detection is enabled, the “`VDD_UVLO_DISABLE`” flag is asserted.
- If an overvoltage is detected on the VDD pin during attachment when OVLO detection is enabled, the “`VDD_OVLO_DISABLE`” flag is asserted.

The I<sup>2</sup>C register bits mentioned above in quotes give either the state of the hardware fault when it occurs or the setting condition to detect the hardware fault.

## 3.9 Accessory mode detection

The STUSB1602 supports the detection of audio accessory mode and debug accessory mode as defined in the USB Type-C standard specification with the following Type-C power modes (see [Section 6: Start-up configuration](#)):

- Source power role with accessory support
- Sink power role with accessory support
- Dual power role with accessory support
- Dual power role with accessory and Try.SRC support
- Dual power role with accessory and Try.SNK support.

### 3.9.1 Audio accessory mode detection

The STUSB1602 detects an audio accessory device when both the CC1 and CC2 pins are pulled down to ground by an R<sub>a</sub> resistor from the connected device. The audio accessory detection is advertised through the CC\_ATTACHED\_MODE bits of the I<sup>2</sup>C register CC\_CONNECTION\_STATUS.

### 3.9.2 Debug accessory mode detection

The STUSB1602 detects a connection to a debug and test system (DTS) when it operates either in sink power role or in source power role. The debug accessory detection is advertised by the DEBUG1 and DEBUG2 pins as well as through the CC\_ATTACHED\_MODE bits of the I<sup>2</sup>C register CC\_CONNECTION\_STATUS.

- In sink power role, a debug accessory device is detected when both the CC1 and CC2 pins are pulled up by an R<sub>p</sub> resistor from the connected device. The voltage levels on the CC1 and CC2 pins give the orientation and current capability as described in the table below. The DEBUG1 pin is asserted to advertise the DTS detection and the A\_B\_SIDE pin indicates the orientation of the connection. The current capability of the DTS is given through the SINK\_POWER\_STATE bits of the I<sup>2</sup>C register CC\_OPERATION\_STATUS.

**Table 9. Orientation and current capability detection in sink power role**

#	CC1 pin (CC2 pin)	CC2 pin (CC1 pin)	Charging current configuration	A_B_SIDE pin CC1/CC2 (CC2/CC1)	Current capability state SINK_POWER_STATE bit values
1	Rp 3A	Rp 1.5A	Default	HiZ (0)	PowerDefault.SNK (source supplies default USB current)
2	Rp 1.5A	Rp default	1.5 A	HiZ (0)	Power1.5.SNK (source supplies 1.5 A USB Type-C current)
3	Rp 3A	Rp default	3.0 A	HiZ (0)	Power3.0.SNK (source supplies 3.0 A USB Type-C current)
4	Rp def/1.5A/3A	Rp def/1.5A/3A	Default	HiZ (HiZ)	PowerDefault.SNK (source supplies default USB current)

- In source power role, a debug accessory device is detected when both the CC1 and CC2 pins are pulled down to ground by an Rd resistor from the connected device. The orientation detection is performed in two steps as described in the table below. The DEBUG2 pin is asserted to advertise the DTS detection and the A\_B\_SIDE pin indicates the orientation of the connection. The orientation detection is advertised through the TYPEC\_FSM\_STATE bits of the I<sup>2</sup>C register CC\_OPERATION\_STATUS.

**Table 10. Orientation detection in source power role**

#	CC1 pin (CC2 pin)	CC2 pin (CC1 pin)	Detection process	A_B_SIDE pin CC1/CC2 (CC2/CC1)	Orientation detection state TYPEC_FSM_STATE bits value
1	Rd	Rd	1 <sup>st</sup> step: debug accessory mode detected	HiZ (HiZ)	UnorientedDebugAccessory.SRC
2	Rd	≤ Ra	2 <sup>nd</sup> step: orientation detected (DTS presents a resistance to GND with a value ≤ Ra on its CC2 pin)	HiZ (0)	OrientedDebugAccessory.SRC

## 4 Managing USB PD transactions

Due to specific HW/SW partitioning, the STUSB1602 requires specific alignment between the lower protocol stack (managed by the STUSB1602) and the higher protocol stack (managed by the external MCU). Therefore, dedicated read and write I<sup>2</sup>C accesses are needed to perform the following actions:

- Acknowledge a HW reset request
- Request a HW reset
- Perform a V<sub>CONN</sub> SWAP
- Perform a data role SWAP
- Acknowledge a power role SWAP request
- Request a power role SWAP

# 5 I<sup>2</sup>C interface

## 5.1 Read and write operations

The I<sup>2</sup>C interface is used to configure, control and read the operation status of the device. It is compatible with the Philips I<sup>2</sup>C Bus® (version 2.1). The I<sup>2</sup>C is a slave serial interface based on two signals:

- SCL - Serial clock line: input clock used to shift data
- SDA - Serial data line: input/output bidirectional data transfers

A filter rejects the potential spikes on the bus data line to preserve data integrity.

The bidirectional data line supports transfers up to 400 Kbit/s (fast mode). The data are shifted to and from the chip on the SDA line, MSB first.

The first bit must be high (START) followed by the 7-bit device address and the read/write control bit.

Two 7-bit device addresses are available for the STUSB1602 thanks to external programming of DevADDR0 through ADDR0 pin setting, i.e. 0x28 or 0x29. This allows two STUSB1602 devices to be connected on the same I<sup>2</sup>C bus.

**Table 11. Device address format**

Bit7	Bit6	Bit5	Bit4	Bit3	Bit2	Bit1	Bit0
DevADDR6	DevADDR5	DevADDR4	DevADDR3	DevADDR2	DevADDR1	DevADDR0	R/W
0	1	0	1	0	0	ADDR0	0/1

**Table 12. Register address format**

Bit7	Bit6	Bit5	Bit4	Bit3	Bit2	Bit1	Bit0
RegADDR7	RegADDR6	RegADDR5	RegADDR4	RegADDR3	RegADDR2	RegADDR1	RegADDR0

**Table 13. Register data format**

Bit7	Bit6	Bit5	Bit4	Bit3	Bit2	Bit1	Bit0
DATA7	DATA6	DATA5	DATA4	DATA3	DATA2	DATA1	DATA0

**Figure 5. Read operation**

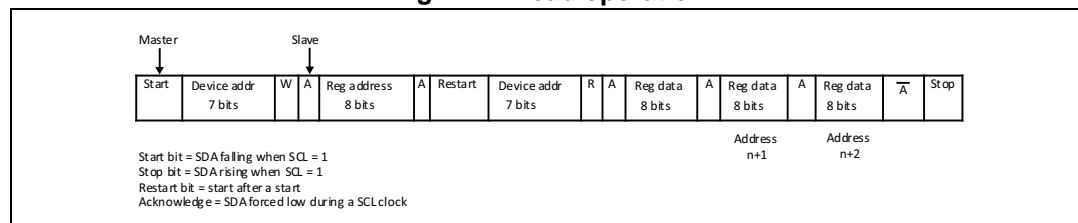
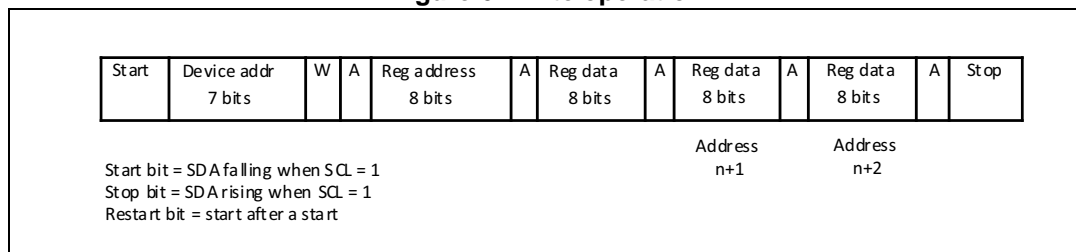




Figure 6. Write operation



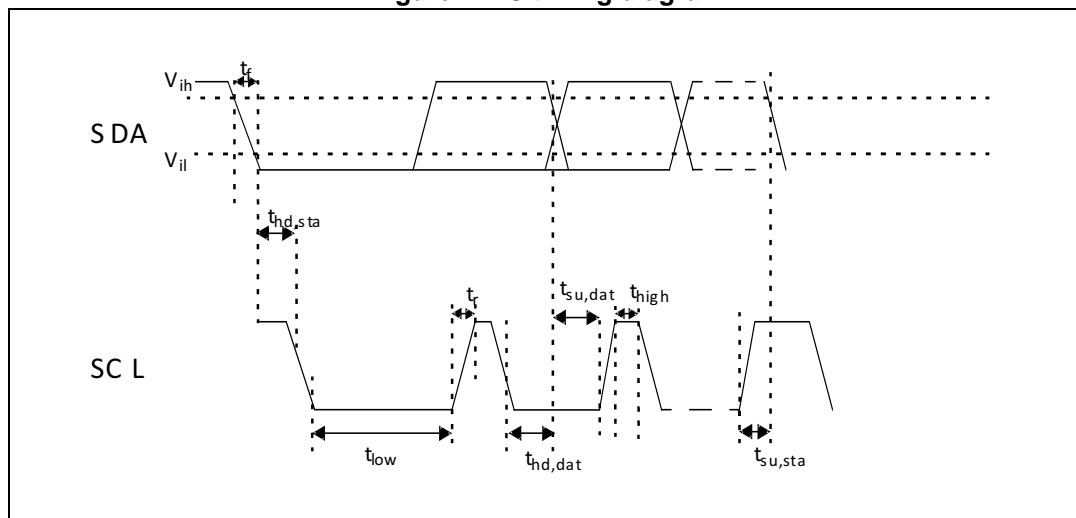
## 5.2 Timing specifications

The device uses a standard slave I<sup>2</sup>C channel at speed up to 400 kHz.

Table 14. I<sup>2</sup>C timing parameters - V<sub>DD</sub> = 5 V

Symbol	Parameter	Min.	Typ.	Max.	Unit	
F <sub>SCL</sub>	SCL clock frequency	0	—	400	kHz	
t <sub>hd,sta</sub>	Hold time (repeated) START condition	0.6		—	μs	
t <sub>low</sub>	LOW period of the SCL clock	1.3		—		
t <sub>high</sub>	HIGH period of the SCL clock	0.6		—		
t <sub>su,dat</sub>	Setup time for repeated START condition	0.6		—		
t <sub>hd,dat</sub>	Data hold time	0.04		0.9		
t <sub>su,dat</sub>	Data setup time	100		—		
t <sub>r</sub>	Rise time of both SDA and SCL signals	20 + 0.1 C <sub>b</sub>		300	ns	
t <sub>f</sub>	Fall time of both SDA and SCL signals	20 + 0.1 C <sub>b</sub>		300	ns	
t <sub>su,sto</sub>	Setup time for STOP condition	0.6		—	μs	
t <sub>buf</sub>	Bus free time between a STOP and START condition	1.3		—		
C <sub>b</sub>	Capacitive load for each bus line	—		—	400	pF

Figure 7. I<sup>2</sup>C timing diagram



### 5.3 I<sup>2</sup>C register map

Table 15. Register access legend

Access code	Expanded name	Description
RO	Read only	Register can be read only
R/W	Read/write	Register can be read or written
RC	Read and clear	Register can be read and is cleared after it is read

Table 16. STUSB1602 register map overview

Address	Register name	Access	Description
00h to 0Ah	Reserved	RO	Do not use
0Bh	ALERT_STATUS	RC	Alerts register linked to transition registers
0Ch	ALERT_STATUS_MASK	R/W	Allows the interrupt mask on the ALERT_STATUS register to be changed
0Dh	CC_DETECTION_STATUS_TRANS	RC	Alerts about transition in CC_DETECTION_STATUS register
0Eh	CC_DETECTION_STATUS	RO	CC detection status
0Fh	TYPE_C_HANDSHAKE and MONITORING_STATUS_TRANS	RC	Allows Type-C FSM to be synchronized with software. Alerts about transition in MONITORING_STATUS register
10h	MONITORING_STATUS	RO	Gives status on $V_{BUS}$ and $V_{CONN}$ voltage monitoring
11h	CC_CONNECTION_STATUS	RO	CC connection status

Table 16. STUSB1602 register map overview (continued)

Address	Register name	Access	Description
12h	HW_FAULT_STATUS_TRANS	RC	Alerts about transition in HW_FAULT_STATUS register
13h	HW_FAULT_STATUS	RO	Gives status on hardware faults
14h to 17h	Reserved	RO	Do not use
18h	CC_CAPABILITY_CTRL	R/W	Allows the CC capabilities to be changed
19h to 1Dh	Reserved	RO	Do not use
1Eh	CC_VCONN_SWITCH_CTRL	R/W	Allows the current limit of V <sub>CONN</sub> power switches to be changed
1Fh	TYPE_C_CTRL	R/W	Allows software to be synchronized with Type-C FSM
20h	VCONN_MONITORING_CTRL	R/W	Allows the monitoring conditions of V <sub>CONN</sub> voltage to be changed
21h	VBUS_SELECT	R/W	Allows the DAC value related to the targeted VBUS voltage to be changed
22h	VBUS_RANGE_MONITORING_CTRL	R/W	Allows the voltage range for VBUS monitoring to be changed
23h	RESET_CTRL	R/W	Controls the device reset by software
24h	CC_POWERED_ACCESSORY_CTRL	R/W	Controls powered accessory detection
25h	VBUS_DISCHARGE_TIME_CTRL	R/W	Allows the VBUS discharge time to be changed
26h	VBUS_DISCHARGE_CTRL	R/W	Controls the VBUS discharge path
27h	VBUS_ENABLE_STATUS	RO	Gives status on VBUS power path activation
28h	CC_POWER_MODE_CTRL	R/W	Allows the CC power mode to be changed
29h to 2Dh	Reserved	RO	Do not use
2Eh	VBUS_MONITORING_CTRL	R/W	Allows the monitoring conditions of VBUS voltage to be changed
2Fh	Reserved	RO	Do not use

## 6 Start-up configuration

### 6.1 User-defined parameters

The STUSB1602 has a set of user-defined parameters that can be customized by NVM re-programming and/or by software through the I<sup>2</sup>C interface. This feature allows the customer to change the preset configuration of the USB Type-C interface and to define a new configuration to meet specific customer requirements addressing various applications, use cases, or specific implementations.

The NVM re-programming overrides the initial default setting to define a new default setting that is used at power-up or after a reset. The default value is copied at power-up, or after a reset, from the embedded NVM into dedicated I<sup>2</sup>C register bits. The NVM re-programming is possible only once with a customer password.

When a default value is changed during functioning by software, the new setting remains in effect as long as the STUSB1602 is operating or when it is changed again. But after power-off and power-up, or after a reset, the STUSB1602 takes back the default values defined in the NVM.

### 6.2 Default start-up configuration

The table below lists the user-defined parameters and indicates the default start-up configuration of the STUSB1602.

Three types of user-defined parameters are specified in the table with respect to the “Customization type” column:

- SW: indicates parameters that can be customized only by software through the I<sup>2</sup>C interface during system operation.
- NVM: indicates parameters that can be customized only by NVM re-programming
- NVM/SW: indicates parameters that can be customized by NVM re-programming and/or by software through the I<sup>2</sup>C interface during system operation.

**Table 17. STUSB1602 user-defined parameters and default setting**

Customization type	Parameter	Default value and description	I <sup>2</sup> C register address
NVM/SW	CC_CONNECTION_STATUS_AL_MASK	1b: interrupt masked	0Ch
NVM/SW	MONITORING_STATUS_AL_MASK	1b: interrupt masked	0Ch
NVM/SW	HW_FAULT_STATUS_AL_MASK	1b: interrupt masked	0Ch
NVM	STANDBY_POWER_MODE_DISABLE	1b: disables standby power mode	n. a.
NVM/SW	CC_CURRENT_ADVERTISED	STUSB1602QTR: 00b: Default USB	18h
		STUSB1602AQTR: 01b: 1.5 A	18h
NVM/SW	CC_VCONN_DISCHARGE_EN	0b: V <sub>CONN</sub> discharge disabled on CC pin	18h
NVM/SW	CC_VCONN_SUPPLY_EN	1b: V <sub>CONN</sub> supply capability enabled on CC pin	18h

Table 17. STUSB1602 user-defined parameters and default setting (continued)

Customization type	Parameter	Default value and description	I <sup>2</sup> C register address
NVM/SW	CC_VCONN_SWITCH_ILIM	0000b: 350 mA	1Eh
SW	VCONN_MONITORING_EN	1b: enables UVLO threshold detection on VCONN pin	20h
SW	VCONN_UVLO_THRESHOLD	0b: high UVLO threshold of 4.65 V	20h
NVM/SW	SHIFT_HIGH_VBUS_LIMIT_SOURCE	0111b: in source power role, shifts nominal high voltage limit by 7 % of V <sub>BUS</sub>	22h
NVM/SW	SHIFT_LOW_VBUS_LIMIT_SOURCE	0101b: in source power role, shifts nominal low voltage limit by -5 % of V <sub>BUS</sub>	22h
NVM/SW	SHIFT_HIGH_VBUS_LIMIT_SINK	0111b: in sink power role, shifts nominal high voltage limit by 7 % of V <sub>BUS</sub>	22h
NVM/SW	SHIFT_LOW_VBUS_LIMIT_SINK	1111b: in sink power role, shifts nominal low voltage limit by -15 % of V <sub>BUS</sub>	22h
SW	SW_RESET_EN	0b: device reset is performed from hardware RESET pin	23h
NVM/SW	VBUS_DISCHARGE_TIME_TO_0V	1010b: 840 ms discharge time	25h
NVM/SW	VBUS_DISCHARGE_TIME_TRANSITION	1010b: 200 ms discharge time	25h
NVM	VBUS_DISCHARGE_DISABLE	0b: enables V <sub>BUS</sub> discharge path	n. a.
NVM/SW	CC_POWER_MODE	011b: dual power role with accessory support	28h
NVM/SW	VDD_OVLO_DISABLE	0b: enables OVLO threshold detection on VDD pin	2Eh
NVM/SW	VBUS_VALID_RANGE_DISABLE	0b: enables valid V <sub>BUS</sub> voltage range detection	2Eh
NVM/SW	VBUS_VSAFE0V_THRESHOLD	00b: V <sub>BUS</sub> vSafe0V threshold = 0.6 V	2Eh
NVM/SW	VDD_UVLO_DISABLE	1b: disables UVLO threshold detection on VDD pin	2Eh

## 7 Application

The sections below are not part of the ST product specification. They are intended to give a generic application overview to be used by the customer as a starting point for further implementation and customization. ST does not warrant compliancy with customer specifications. Full system implementation and validation are under the customer's responsibility.

### 7.1 General information

#### 7.1.1 Power supplies

The STUSB1602 can be supplied in three different ways depending on the targeted application:

- Through the VDD pin only for applications powered by  $V_{BUS}$  that operate either in source power role or in sink power role with dead battery mode support.
- Through the VSYS pin only for AC powered applications with a system power supply delivering 3.3 V or 5 V.
- Through the VDD and VSYS pins either for applications powered by a battery with dead battery mode support or for applications powered by  $V_{BUS}$  with a system power supply delivering 3.3 V or 5 V. When both VDD and VSYS power supplies are present, the low power supply VSYS is selected when VSYS voltage is above 3.1 V. Otherwise VDD is selected.

#### 7.1.2 Connection to MCU or application processor

The I<sup>2</sup>C interface is used to provide extensive functionality during system operation. For instance:

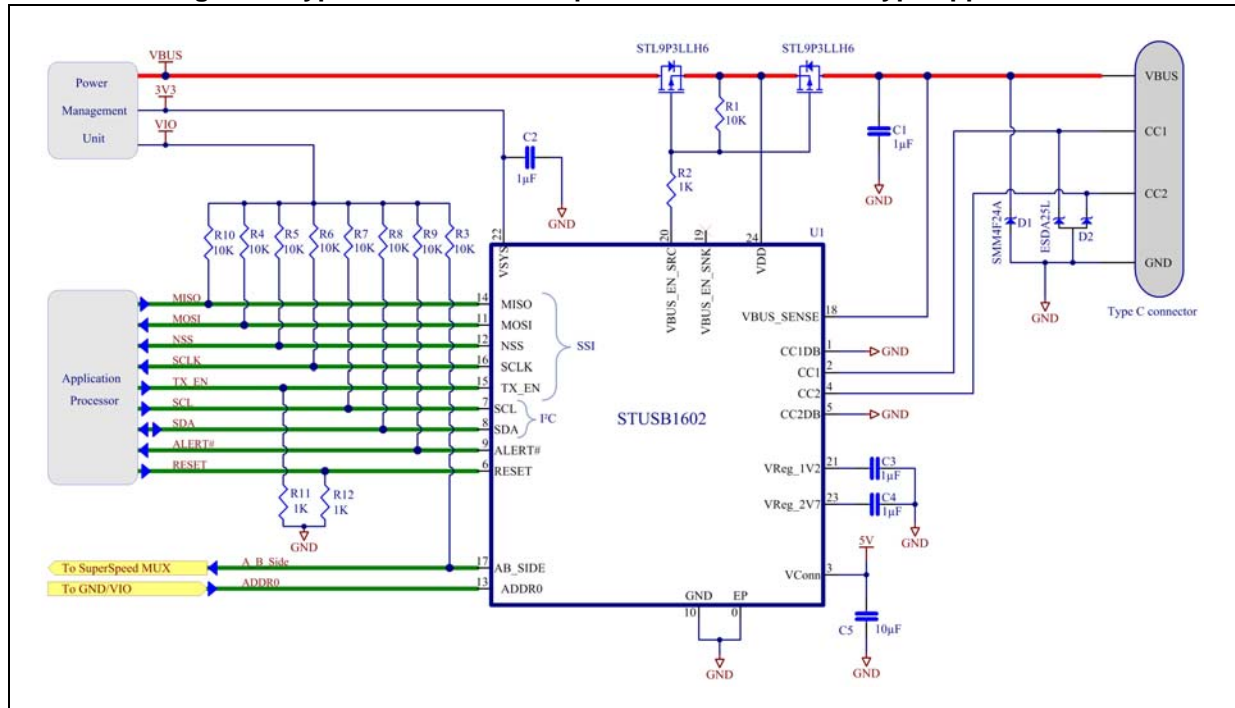
1. Define the port configuration during system boot (in case the NVM parameters are not customized during manufacturing).
2. Change the default configuration at any time during operation
3. Re-configure the port power mode (i.e. source, sink or dual role)
4. Adjust the port power capability in source power role according to contextual power availability and/or the power partitioning with other ports.
5. Save system power by shutting down the DC-DC converter according to the attachment detection state.
6. Provide a diagnostic of the Type-C connection and the VBUS power path in real time

## 7.2 USB Type-C typical applications

### 7.2.1 Source type application

#### Application schematic

Figure 8. Typical STUSB1602 implementation in source type application



## Default start-up configuration

Table 18. Default setting for a source type application

I <sup>2</sup> C register address	I <sup>2</sup> C register field name	I <sup>2</sup> C register reset value/description	Customization type
0Eh	START_UP_POWER_MODE	0b: device starts in normal mode	NVM/SW
18h	CC_CURRENT_ADVERTISED	STUSB1602QTR: 00b: Default USB	NVM/SW
		STUSB1602AQTR: 01b: 1.5 A	NVM/SW
18h	CC_VCONN_DISCHARGE_EN	0b: VCONN discharge disabled on CC pin	NVM/SW
18h	CC_VCONN_SUPPLY_EN	1b: VCONN supply capability enabled on CC pin	NVM/SW
1Eh	CC_VCONN_SWITCH_ILIM	0000b: 350 mA	NVM/SW
1Fh	POWER_MODE	<b><i>0000b: source power role with accessory support <sup>(1)</sup></i></b>	NVM/SW
20h	VCONN_MONITORING_EN	1b: enables UVLO threshold detection on VCONN pin	SW
20h	VCONN_UVLO_THRESHOLD	0b: high UVLO threshold of 4.65 V	SW
21h	VBUS_SELECT	0032b: 5V DAC value related to targeted VBUS	SW
22h	VBUS_VSHIFT_HIGH	1010b: 5 % plus the high threshold value	NVM/FSM/SW
22h	VBUS_VSHIFT_LOW	1010b: 5 % minus the low threshold value	NVM/FSM/SW
24h	PWR_ACC_DETECT_EN	Not applicable	NVM/SW
25h	VBUS_DISCHARGE_TIME_TO_0V	1010b: 840 ms discharge time	NVM/SW
25h	VBUS_DISCHARGE_TIME_TRANSITION	1010b: 200 ms discharge time	NVM/SW
26h	VBUS_DISCHARGE_EN	1b: enables the VBUS discharge path	NVM/SW
2Eh	VDD_OVLO_DISABLE	0b: enables OVLO threshold detection on VDD pin	SW
2Eh	VBUS_RANGE_DISABLE	0b: enables V <sub>BUS</sub> voltage range detection	SW
2Eh	VBUS_VSAFE0V_THRESHOLD	00b: V <sub>BUS</sub> vSafe0V threshold = 0.6 V	SW
2Eh	VDD_UVLO_DISABLE	1b: disables UVLO threshold detection on VDD pin	SW

1. Italic text indicates this parameter is customized by NVM re-programming



**V<sub>BUS</sub> power path assertion****Table 19. Conditions for V<sub>BUS</sub> power path assertion in source power role**

Pin	Electrical value	Operation conditions			Comment
		Type-C attached state	VDD pin monitoring	VBUS_SENSE pin monitoring	
VBUS_EN_SRC	0	Attached.SRC or UnorientedDebug Accessory.SRC or OrientedDebug Accessory.SRC	VDD < OVLO if VDD pin is supplied	V <sub>BUS</sub> within valid voltage range	The signal is asserted only if all the valid operation conditions are met
	HiZ	Any other state	VDD > OVLO if VDD pin is supplied	V <sub>BUS</sub> is out of valid voltage range	The signal is de-asserted when at least one non valid operation condition is met.

## Device state according to application state

Table 20. Source power role with accessory support

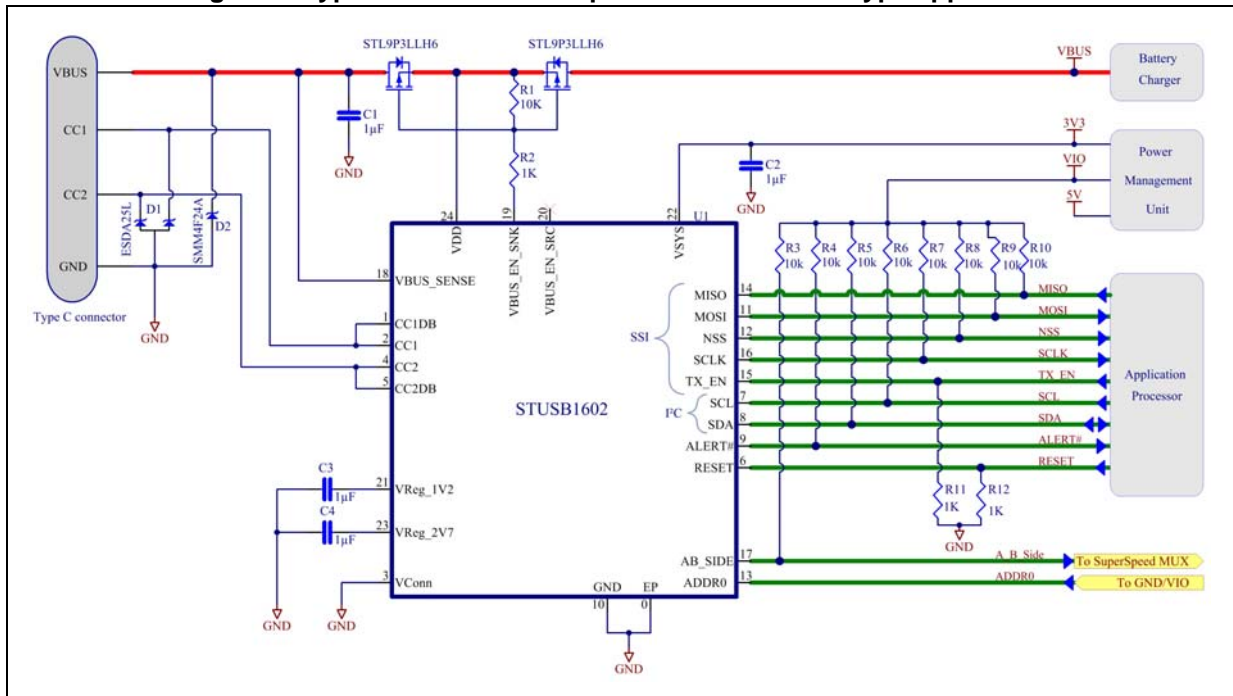
Connection state	CC1 pin	CC2 pin	Type-C device state CC_OPERATION_STATUS register @11h	A_B_SIDE pin	VCONN supply	VBUS_EN_SRC pin	CC_CONNECTION_STATUS register @0Eh
Nothing attached	Open	Open	Unattached.SRC	HiZ	OFF	HiZ	00h
Sink attached	Rd	Open	Attached.SRC	HiZ	OFF	0	2Dh
	Open	Rd		0	OFF	0	2Dh
Powered cable without sink attached	Open	Ra	Unattached.SRC	HiZ	OFF	HiZ	00h
	Ra	Open		HiZ	OFF	HiZ	00h
Powered cable with sink attached or VCONN-powered accessory attached	Rd	Ra	Attached.SRC	HiZ	CC2	0	2Fh
	Ra	Rd		0	CC1	0	2Fh
Debug accessory mode attached source role	Rp	Rp	Unattached.SRC	HiZ	OFF	HiZ	00h
Debug accessory mode attached sink role	Rd	Rd	UnorientedDebug Accessory.SRC	HiZ	OFF	0	6Dh
Debug accessory mode attached sink role	Rd	≤ Ra	OrientedDebug Accessory.SRC	HiZ	OFF	0	6Dh
	≤ Ra	Rd		0	OFF	0	6Dh
Audio adapter accessory mode attached	Ra	Ra	Audio accessory	HiZ	OFF	HiZ	81h

The value of the CC1 and CC2 pins is defined from a termination perspective and corresponds to the termination presented by the connected device. The CC\_CONNECTION\_STATUS register can report other values than the one presented in [Table 20](#). In this table, it reflects the state transitions in Type-C FSM that can be ignored from the application stand point.

### 7.2.2 Sink type application

#### Application schematic

Figure 9. Typical STUSB1602 implementation in sink type application



## Default start-up configuration

Table 21. Default setting for a sink type application

I <sup>2</sup> C register address	I <sup>2</sup> C register field name	I <sup>2</sup> C register reset value/description	Customization type
0Eh	START_UP_POWER_MODE	0b: device starts in normal mode	NVM/SW
18h	CC_CURRENT_ADVERTISED	Not applicable	NVM/SW
18h	CC_VCONN_DISCHARGE_EN	Not applicable	NVM/SW
18h	CC_VCONN_SUPPLY_EN	Not applicable	NVM/SW
1Eh	CC_VCONN_SWITCH_ILIM	Not applicable	NVM/SW
1Fh	POWER_MODE	<i>001b: sink power role with accessory support <sup>(1)</sup></i>	NVM/SW
20h	VCONN_MONITORING_EN	Not applicable	SW
20h	VCONN_UVLO_THRESHOLD	Not applicable	SW
21h	VBUS_SELECT	0032b: 5V DAC value related to targeted VBUS	FSM/SW
22h	VBUS_VSHIFT_HIGH	1010b: 5 % plus the high threshold value	NVM/FSM/SW
22h	VBUS_VSHIFT_LOW	1010b: 5 % minus the low threshold value	NVM/FSM/SW
24h	PWR_ACC_DETECT_EN	1b: enables the powered accessory detection	NVM/SW
25h	VBUS_DISCHARGE_TIME_TO_0V	1010b: 840 ms discharge time	NVM/SW
25h	VBUS_DISCHARGE_TIME_TRANSITION	1010b: 200 ms discharge time	NVM/SW
26h	VBUS_DISCHARGE_EN	1b: enables the VBUS discharge path	NVM/SW
2Eh	VDD_OVLO_DISABLE	Not applicable	SW
2Eh	VBUS_RANGE_DISABLE	0b: enables V <sub>BUS</sub> voltage range detection	SW
2Eh	VBUS_VSAFE0V_THRESHOLD	Not applicable	SW
2Eh	VDD_UVLO_DISABLE	Not applicable	SW

1. Italic text indicates this parameter is customized by NVM re-programming

**V<sub>BUS</sub> power path assertion**

**Table 22. Conditions for V<sub>BUS</sub> power path assertion in sink power role**

Pin	Electrical value	Operation conditions			Comment
		Type-C attached state	VDD pin monitoring	VBUS_SENSE pin monitoring	
VBUS_EN_SNK	0	Attached.SNK or Debug Accessory.SNK	Not applicable	V <sub>BUS</sub> is within valid voltage range	The signal is asserted only if all the valid operation conditions are met
	HiZ	Any other state	Not applicable	V <sub>BUS</sub> is out of valid voltage range	The signal is de-asserted when at least one non valid operation condition is met.

## Device state according to application state

Table 23. Sink power role with accessory support

Connection state	CC1 pin	CC2 pin	Type-C device state CC_OPERATION_STATUS register @11h	A_B_SIDE pin	VCONN supply	VBUS_EN_SNK pin	CC_CONNECTION_STATUS register @0Eh
Nothing attached	Open	Open	(Toggling) Unattached.SNK Unattached.Accessory	HiZ	OFF	HiZ	00h
Source attached	Rp	Open or Ra	Attached.SNK	HiZ	OFF	0	41h
	Open or Ra	Rp		0	OFF	0	41h
Powered cable without source attached	Open	Ra	(Toggling) Unattached.SNK Unattached.Accessory	HiZ	OFF	HiZ	00h
	Ra	Open		HiZ	OFF	HiZ	00h
Debug accessory mode attached sink role	Rd	Rd	(Toggling) Unattached.SNK Unattached.Accessory	HiZ	OFF	HiZ	00h
Debug accessory mode attached source role	Rp Def/ 1.5A/ 3A	Rp Def/ 1.5A/ 3A	Debug Accessory.SNK (Default USB)	HiZ	OFF	0	61h
Debug accessory mode attached source role	Rp 3A	Rp 1.5A	Debug Accessory.SNK (Default USB)	HiZ	OFF	0	61h
	Rp 1.5A	Rp 3A		0	OFF	0	61h
Debug accessory mode attached source role	Rp 1.5A	Rp def.	Debug Accessory.SNK (1.5 A)	HiZ	OFF	0	61h
	Rp def.	Rp 1.5A		0	OFF	0	61h
Debug accessory mode attached source role	Rp 3A	Rp def.	Debug Accessory.SNK (3.0 A)	HiZ	OFF	0	61h
	Rp def.	Rp 3A		0	OFF	0	61h
Audio adapter accessory mode attached	Ra	Ra	Audio accessory	HiZ	OFF	HiZ	81h

Table 23. Sink power role with accessory support (continued)

Connection state	CC1 pin	CC2 pin	Type-C device state CC_OPERATION_STATUS register @11h	A_B_SIDE pin	VCONN supply	VBUS_EN_SNK pin	CC_CONNECTION_STATUS register @0Eh
VCONN-powered accessory attached	Rd	Ra	(Toggling) Unattached.SNK Unattached.Accessory	HiZ	OFF	HiZ	00h
	Ra	Rd		HiZ	OFF	HiZ	00h

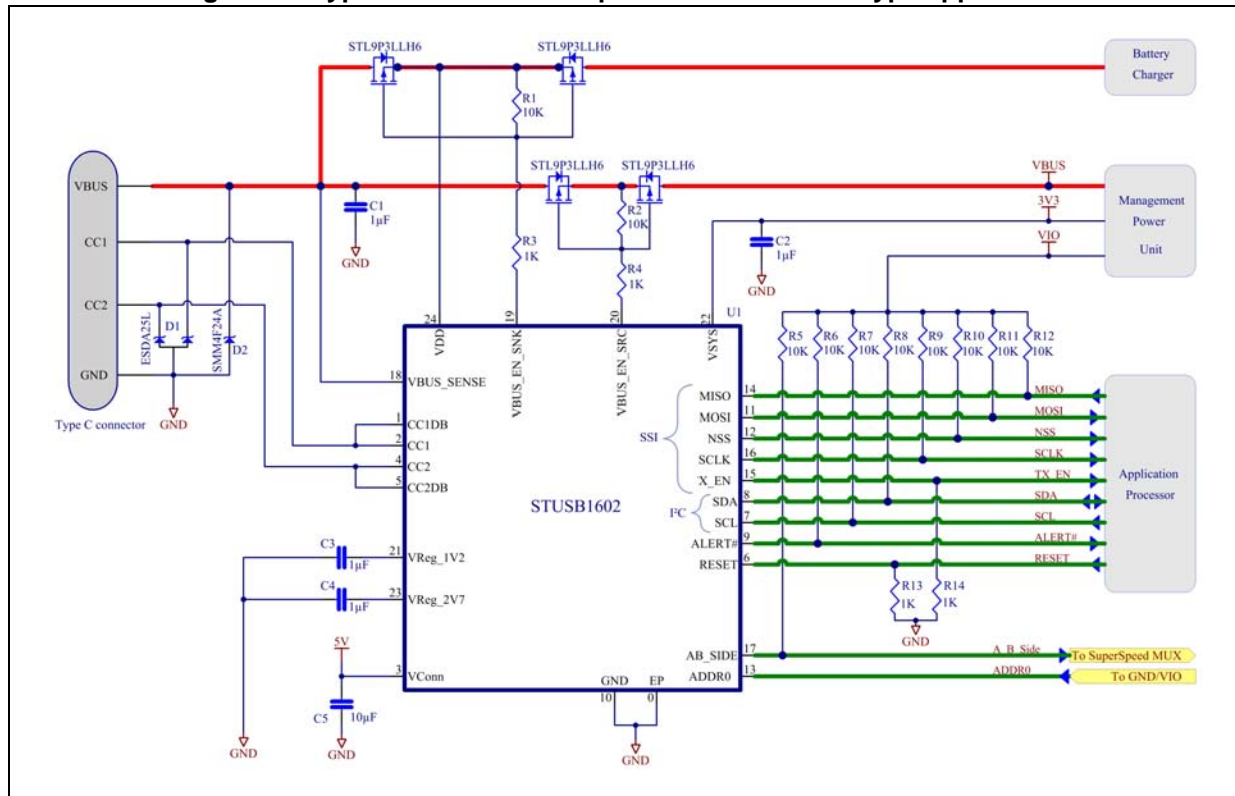
The value of the CC1 and CC2 pins is defined from a termination perspective and corresponds to the termination presented by the connected device.

The CC\_CONNECTION\_STATUS register can report other values than the one presented in [Table 23](#). In this table, it reflects the state transitions in Type-C FSM that can be ignored from the application stand point.

### 7.2.3 Dual role type application

#### Application schematic

Figure 10. Typical STUSB1602 implementation in dual type application



Note: Schematic configuration is in dead battery mode



## Default start-up configuration

Table 24. Default setting for a dual type application

I <sup>2</sup> C register address	I <sup>2</sup> C register field name	I <sup>2</sup> C register reset value/description	Customization type
0Eh	START_UP_POWER_MODE	0b: device starts in normal mode	NVM/SW
18h	CC_CURRENT_ADVERTISED	STUSB1602QTR: 00b: Default USB	NVM/SW
		STUSB1602AQTR: 01b: 1.5 A	NVM/SW
18h	CC_VCONN_DISCHARGE_EN	0b: VCONN discharge disabled on CC pin	NVM/SW
18h	CC_VCONN_SUPPLY_EN	1b: VCONN supply capability enabled on CC pin	NVM/SW
1Eh	CC_VCONN_SWITCH_ILIM	0000b: 350 mA	NVM/SW
1Fh	POWER_MODE	<b><i>011b: dual power role with accessory support <sup>(1)</sup></i></b>	NVM/SW
20h	VCONN_MONITORING_EN	1b: enables UVLO threshold detection on VCONN pin	SW
20h	VCONN_UVLO_THRESHOLD	0b: high UVLO threshold of 4.65 V	SW
21h	VBUS_SELECT	0032b: 5V DAC value related to targeted VBUS	SW
22h	VBUS_VSHIFT_HIGH	1010b: 5 % plus the high threshold value	NVM/FSM/SW
22h	VBUS_VSHIFT_LOW	1010b: 5 % minus the low threshold value	NVM/FSM/SW
24h	PWR_ACC_DETECT_EN	Not applicable	NVM/SW
25h	VBUS_DISCHARGE_TIME_TO_0V	1010b: 840 ms discharge time	NVM/SW
25h	VBUS_DISCHARGE_TIME_TRANSITION	1010b: 200 ms discharge time	NVM/SW
26h	VBUS_DISCHARGE_EN	1b: enables the VBUS discharge path	NVM/SW
2Eh	VDD_OVLO_DISABLE	0b: enables OVLO threshold detection on VDD pin	SW
2Eh	VBUS_RANGE_DISABLE	0b: enables V <sub>BUS</sub> voltage range detection	SW
2Eh	VBUS_VSAFE0V_THRESHOLD	00b: V <sub>BUS</sub> vSafe0V threshold = 0.6 V	SW
2Eh	VDD_UVLO_DISABLE	1b: disables UVLO threshold detection on VDD pin	SW

1. Italic text indicates this parameter is customized by NVM re-programming

**V<sub>BUS</sub> power path assertion**

**Table 25. Conditions for V<sub>BUS</sub> power path assertion in source power role**

Pin	Electrical value	Operation conditions			Comment
		Type-C attached state	VDD pin monitoring	VBUS_SENSE pin monitoring	
VBUS_EN_SRC	0	Attached.SRC or UnorientedDebug Accessory.SRC or OrientedDebug Accessory.SRC	VDD < OVLO if VDD pin is supplied	V <sub>BUS</sub> is within valid voltage range	The signal is asserted only if all the valid operation conditions are met
	HiZ	Any other state	VDD > OVLO if VDD pin is supplied	V <sub>BUS</sub> is out of valid voltage range	The signal is de-asserted when at least one non valid operation condition is met.

**Table 26. Conditions for V<sub>BUS</sub> power path assertion in sink power role**

Pin	Electrical value	Operation conditions			Comment
		Type-C attached state	VDD pin monitoring	VBUS_SENSE pin monitoring	
VBUS_EN_SNK	0	Attached.SNK or Debug Accessory.SNK	Not applicable	V <sub>BUS</sub> is within valid voltage range	The signal is asserted only if all the valid operation conditions are met
	HiZ	Any other state	Not applicable	V <sub>BUS</sub> is out of valid voltage range	The signal is de-asserted when at least one non valid operation condition is met.

Device state according to application state

Table 27. Dual power role with accessory support

Connection state	CC1 pin	CC2 pin	Type-C device state CC_OPERATION_STATUS register @11h	A_B_SIDE pin	VCONN supply	VBUS_EN_SRC pin	VBUS_EN_SNK pin	CC_CONNECTION_STATUS register @0Eh
Nothing attached	Open	Open	(Toggling) Unattached.SRC Unattached.SNK	HiZ	OFF	HiZ	HiZ	00h
Sink attached	Rd	Open	Attached.SRC	HiZ	OFF	0	HiZ	2Dh
	Open	Rd		0	OFF	0	HiZ	2Dh
Powered cable without sink or source attached	Open	Ra	(Toggling) Unattached.SRC Unattached.SNK	HiZ	OFF	HiZ	HiZ	00h
	Ra	Open		HiZ	OFF	HiZ	HiZ	00h
Powered cable with sink attached or VCONN-powered accessory attached	Rd	Ra	Attached.SRC	HiZ	CC2	0	HiZ	2Fh
	Ra	Rd		0	CC1	0	HiZ	2Fh
Debug accessory mode attached sink role	Rd	Rd	UnorientedDebug Accessory.SRC	HiZ	OFF	0	HiZ	6Dh
Debug accessory mode attached sink role	Rd	≤ Ra	OrientedDebug Accessory.SRC	HiZ	OFF	0	HiZ	6Dh
	≤ Ra	Rd		0	OFF	0	HiZ	6Dh
Audio adapter accessory mode attached	Ra	Ra	Audio accessory	HiZ	OFF	HiZ	HiZ	81h
Source attached	Rp	Open or Ra	Attached.SNK	HiZ	OFF	HiZ	0	41h
	Open or Ra	Rp		0	OFF	HiZ	0	41h
Debug accessory mode attached source role	Rp def/ 1.5A/ 3A	Rp def/ 1.5A/ 3A	Debug Accessory.SNK (Default USB)	HiZ	OFF	HiZ	0	61h

**Table 27. Dual power role with accessory support (continued)**

Connection state	CC1 pin	CC2 pin	Type-C device state CC_OPERATION_STATUS register @11h	A_B_SIDE pin	VCONN supply	VBUS_EN_SRC pin	VBUS_EN_SNK pin	CC_CONNECTION_STATUS register @0Eh
Debug accessory mode attached source role	Rp 3A	Rp 1.5A	Debug Accessory.SNK (Default USB)	HiZ	OFF	HiZ	0	61h
	Rp 1.5A	Rp 3A		0	OFF	HiZ	0	61h
Debug accessory mode attached source role	Rp 1.5A	Rp def.	Debug Accessory.SNK (1.5 A)	HiZ	OFF	HiZ	0	61h
	Rp def.	Rp 1.5A		0	OFF	HiZ	0	61h
Debug accessory mode attached source role	Rp 3A	Rp def.	Debug Accessory.SNK (3.0 A)	HiZ	OFF	HiZ	0	61h
	Rp def.	Rp 3A		0	OFF	HiZ	0	61h

The value of the CC1 and CC2 pins is defined from a termination perspective and corresponds to the termination presented by the connected device.

The CC\_CONNECTION\_STATUS register can report other values than the one presented in [Table 27](#). In this table, it reflects the state transitions in Type-C FSM that can be ignored from the application stand point.

## 8 Electrical characteristics

### 8.1 Absolute maximum ratings

All voltages are referenced to GND.

**Table 28. Absolute maximum ratings**

Symbol	Parameter	Value.	Unit
$V_{DD}$	Supply voltage	28	V
$V_{SYS}$	Supply voltage on VSYS pin	6	
$V_{CC1}, V_{CC2}$ $V_{CC1DB}, V_{CC2DB}$	High voltage on CC pins	22	
$V_{VBUS\_EN\_SRC}$ $V_{VBUS\_EN\_SNK}$ $V_{VBUS\_SENSE}$	High voltage on V <sub>BUS</sub> pins	28	
$V_{SCL}, V_{SDA}$ $V_{ALERT\#}$ $V_{RESET}$ $V_{A\_B\_SIDE}$	Operating voltage on I/O pins	-0.3 to 6	
$V_{CONN}$	$V_{CONN}$ voltage	6	°C
$T_{STG}$	Storage temperature	-55 to 150	
$T_J$	Maximum junction temperature	145	
ESD	HBM	4	kV
	CDM	1.5	

## 8.2 Operating conditions

Table 29. Operating conditions

Symbol	Parameter	Value	Unit
$V_{DD}$	Supply voltage	4.1 to 22	V
$V_{SYS}$	Supply voltage on $V_{SYS}$ pin	3.0 to 5.5	
$V_{CC1}, V_{CC2}$ $V_{CC1DB}, V_{CC2DB}$	CC pins	-0.3 to 5.5	
$V_{VBUS\_EN\_SRC}$ $V_{VBUS\_EN\_SNK}$ $V_{VBUS\_SENSE}$	High voltage pins	0 to 22	
$V_{SCL}, V_{SDA}$ $V_{ALERT\#}$ $V_{RESET}$ $V_{A\_B\_SIDE}$	Operating voltage on I/O pins	0 to 4.5	
$V_{CONN}$	$V_{CONN}$ voltage	2.7 to 5.5	
$I_{CONN}$	$V_{CONN}$ rated current (default = 0.35 A)	0.1 to 0.6	A
$T_A$	Operating temperature	-40 to 105	°C

*Note:* The transient voltage on the CC1 and CC2 pins is allowed to drop to -0.3 during BMC communication.

### 8.3 Electrical and timing characteristics

Unless otherwise specified:  $V_{DD} = 5\text{ V}$ ,  $T_A = 25\text{ }^\circ\text{C}$ , all voltages are referenced to GND.

**Table 30. Electrical characteristics**

Symbol	Parameter	Conditions	Min.	Typ.	Max.	Unit
$I_{DD(SRC)}$	Current consumption	Device idle as a SOURCE (not connected, no communication)	$V_{SYS} @ 3.3\text{ V}$		158	$\mu\text{A}$
			$V_{DD} @ 5.0\text{ V}$		188	
$I_{DD(SNK)}$	Current consumption	Device idle as a SINK (not connected, no communication)	$V_{SYS} @ 3.3\text{ V}$		113	
			$V_{DD} @ 5.0\text{ V}$		140	
$I_{STDBY}$	Standby current consumption	Device in standby (not connected, low power)	$V_{SYS} @ 3.3\text{ V}$		33	
			$V_{DD} @ 5.0\text{ V}$		53	
<b>CC1 and CC2 pins</b>						
$I_{P-USB}$	CC current sources	CC pin voltage, $V_{CC} = -0.3\text{ to }2.6\text{ V}$ , $40\text{ }^\circ\text{C} < T_A < 105\text{ }^\circ\text{C}$	-20%	80	+20 %	$\mu\text{A}$
$I_{P-1.5}$			-8%	180	+8 %	
$I_{P-3.0}$			-8%	330	+8 %	
$V_{CCO}$	CC open pin voltage	CC unconnected, $V_{DD} = 3.0\text{ to }5.5\text{ V}$	2.75			V
$R_d$	CC pull-down resistors	$-40\text{ }^\circ\text{C} < T_A < 105\text{ }^\circ\text{C}$	-10%	5.1	+10 %	k $\Omega$
$V_{CCDB-1.5}$	CC pin voltage in dead battery condition	External $I_P = 180\text{ }\mu\text{A}$ applied into CC, $V_{DD} = 0\text{ V}$ , dead-battery function enabled			1.2	V
$V_{CCDB-3.0}$			External $I_P = 330\text{ }\mu\text{A}$ applied into CC, $V_{DD} = 0\text{ V}$ , dead-battery function enabled			
$R_{INCC}$	CC input impedance	Pull-up and pull-down resistors off	200			k $\Omega$
$V_{TH0.2}$	Detection threshold 1	Max $R_a$ detection by DFP at $I_P = I_{P-USB}$ , min $I_{P-USB}$ detection by UFP on $R_d$ , min CC voltage for connected UFP	0.15	0.20	0.25	V
$V_{TH0.4}$	Detection threshold 2	Max $R_a$ detection by DFP at $I_P = I_{P-1.5}$	0.35	0.40	0.45	
$V_{TH0.66}$	Detection threshold 3	Min $I_{P-1.5}$ detection by UFP on $R_d$	0.61	0.66	0.70	
$V_{TH0.8}$	Detection threshold 4	Max $R_a$ detection by DFP at $I_P = I_{P-3.0}$	0.75	0.80	0.85	
$V_{TH1.23}$	Detection threshold 5	Min $I_{P-3.0}$ detection by UFP on $R_d$	1.16	1.23	1.31	
$V_{TH1.6}$	Detection threshold 6	Max $R_d$ detection by DFP at $I_P = I_{P-USB}$ and $I_P = I_{P-1.5}$	1.50	1.60	1.65	

**Table 30. Electrical characteristics (continued)**

Symbol	Parameter	Conditions	Min.	Typ.	Max.	Unit
V <sub>TH2.6</sub>	Detection threshold 7	Max R <sub>d</sub> detection by DFP at I <sub>P-3.0</sub> , max CC voltage for connected UFP	2.45	2.60	2.75	V
<b>V<sub>CONN</sub> protection</b>						
R <sub>VCONN</sub>	V <sub>CONN</sub> path resistance	I <sub>VCONN</sub> = 0.2 A,	0.25	0.5	0.975	Ω
I <sub>OCP</sub>	Overcurrent protection	Programmable current limit threshold (from 100 mA to 600 mA by step of 50 mA)	85	100	125	mA
			300	350	400	
			550	600	650	
V <sub>OVP</sub>	Output-over voltage protection		5.9	6	6.1	V
V <sub>UVP</sub>	Input undervoltage protection	Low UVLO threshold	2.6		2.7	
		High UVLO threshold (default)	4.6		4.8	
<b>V<sub>BUS</sub> monitoring and driving</b>						
V <sub>THUSB</sub>	V <sub>BUS</sub> presence threshold	V <sub>SYS</sub> = 3.0 to 5.5 V	3.8	3.9	4.0	V
V <sub>THOV</sub>	V <sub>BUS</sub> safe 0 V threshold (vSafe0V)	V <sub>SYS</sub> = 3.0 to 5.5 V	0.5	0.6	0.7	
		Programmable threshold	0.8	0.9	1.0	
		Programmable threshold from 0.6 V to 1.8 V	1.1	1.2	1.3	
		Default V <sub>THOV</sub> = 0.6 V	1.7	1.8	1.9	
R <sub>DISUSB</sub>	V <sub>BUS</sub> discharge resistor		600	700	800	Ω
T <sub>DISUSB</sub>	V <sub>BUS</sub> discharge time to 0V	Default T <sub>DISPARAM</sub> = 840 ms, the co-efficient T <sub>DISPARAM</sub> is programmable by NVM	70 <sup>(1)</sup>	84 <sup>(1)</sup>	100 <sup>(1)</sup>	ms
	V <sub>BUS</sub> discharge time to PDO	Default T <sub>DISPARAM</sub> = 200 ms, the co-efficient T <sub>DISPARAM</sub> is programmable by NVM	20 <sup>(1)</sup>	24 <sup>(1)</sup>	28 <sup>(1)</sup>	
V <sub>MONUSBH</sub>	V <sub>BUS</sub> monitoring high voltage threshold	V <sub>BUS</sub> = nominal target value, default V <sub>MONUSBH</sub> = V <sub>BUS</sub> + 10 %, the threshold limit is programmable by NVM from +5 % to +20 %		V <sub>BUS</sub> + 10 %		V
V <sub>MONUSBL</sub>	V <sub>BUS</sub> monitoring low voltage threshold	V <sub>BUS</sub> = nominal target value, default V <sub>MONUSBL</sub> = V <sub>BUS</sub> - 10 %, the threshold limit is programmable by NVM from -20 % to -5 %		V <sub>BUS</sub> - 10 %		
<b>Digital input/output (SCL, SDA, ALERT#, A_B_SIDE)</b>						
V <sub>IH</sub>	High level input voltage		1.2			V
V <sub>IL</sub>	Low level input voltage				0.35	
V <sub>OL</sub>	Low level output voltage	I <sub>oh</sub> = 3 mA			0.4	



Table 30. Electrical characteristics (continued)

Symbol	Parameter	Conditions	Min.	Typ.	Max.	Unit
<b>20 V open drain outputs (VBUS_EN_SRC, VBUS_EN_SNK)</b>						
V <sub>OL</sub>	Low level output voltage	I <sub>oh</sub> = 3 mA			0.4	V

1. T<sub>DISPARAM</sub>

## 9 Package information

In order to meet environmental requirements, ST offers these devices in different grades of ECOPACK® packages, depending on their level of environmental compliance. ECOPACK® specifications, grade definitions and product status are available at: [www.st.com](http://www.st.com). ECOPACK® is an ST trademark.

### 9.1 QFN24 EP 4x4 mm package information

Figure 11. QFN24 EP 4x4 mm package outline

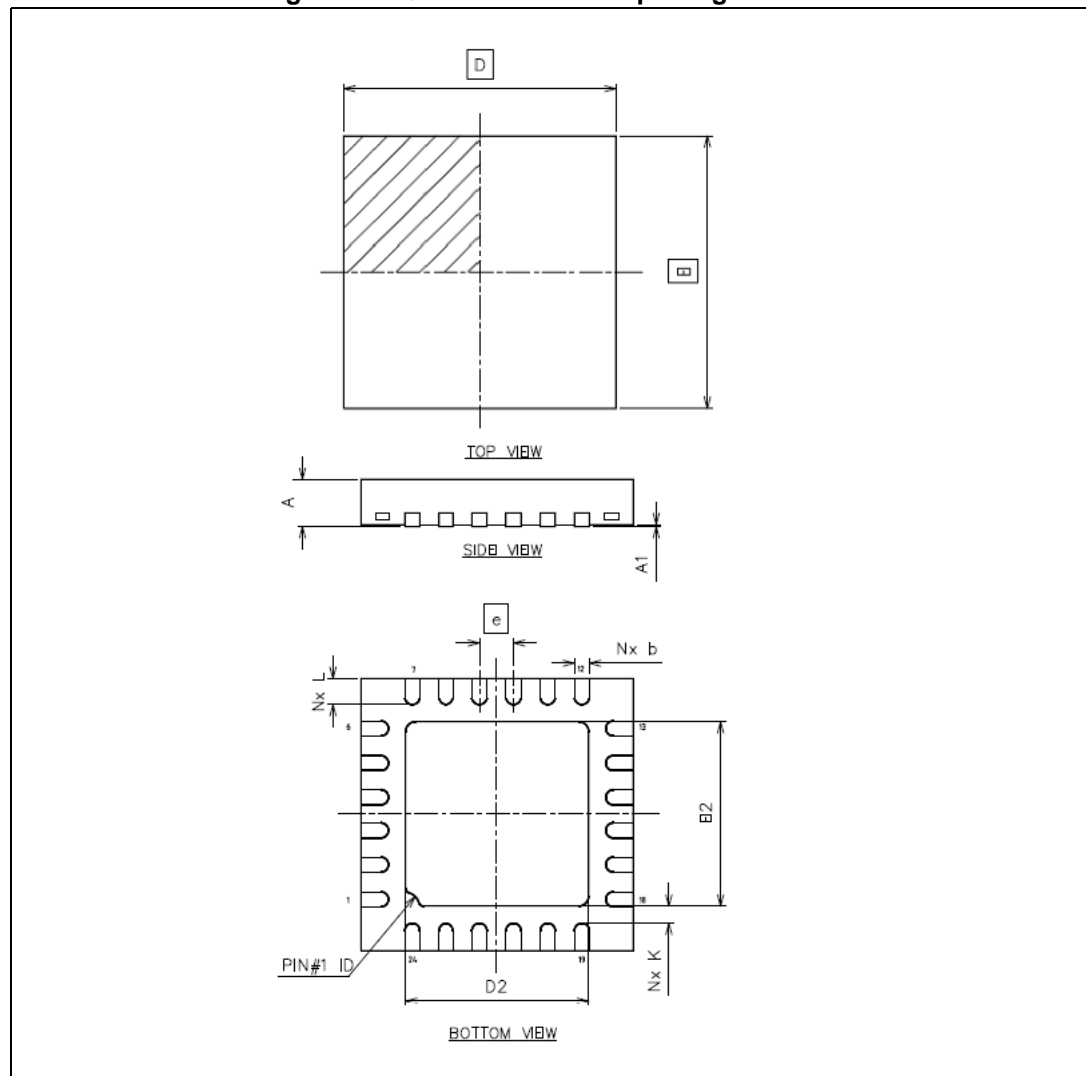
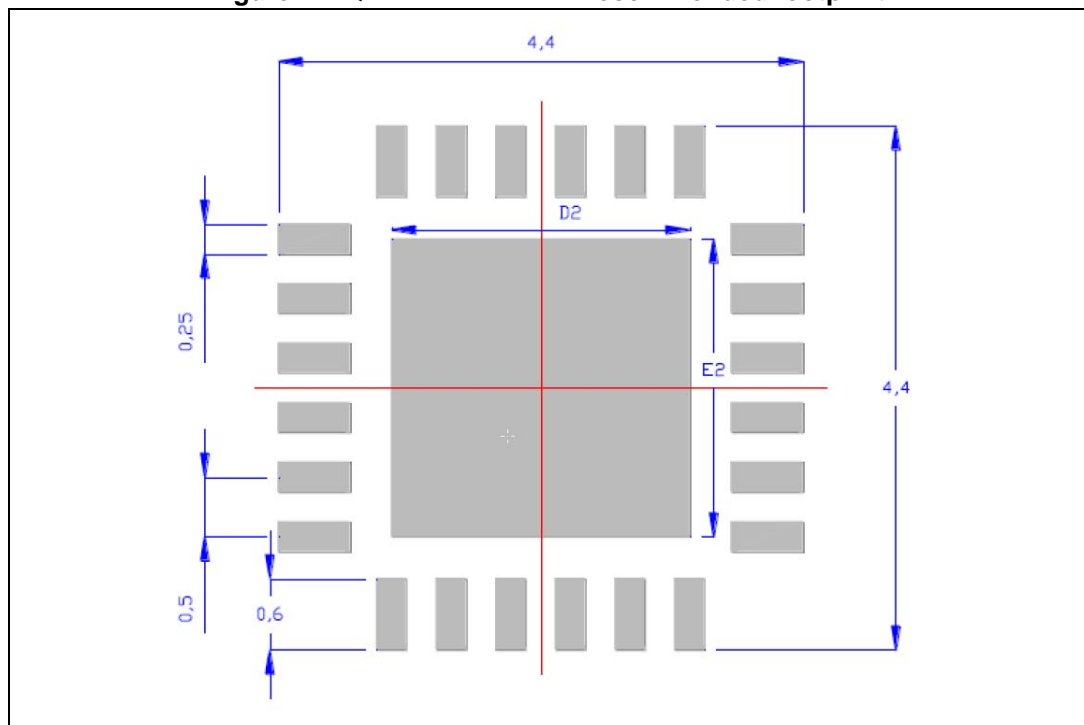


Table 31. QFN24 EP 4x4 mm mechanical data

Ref.	Millimeters			Inches		
	Min	Typ	Max	Min	Typ	Max
A	0.80	0.90	1.00	0.031	0.035	0.039
A1	0.00	0.02	0.05	0.000	0.001	0.002
b	0.18	0.25	0.30	0.007	0.010	0.012
D	3.95	4.00	4.05	0.156	0.157	0.159
D2	2.55	2.70	2.80	0.100	0.106	0.110
E	3.95	4.00	4.05	0.156	0.157	0.159
E2	2.55	2.70	2.80	0.100	0.106	0.110
e	0.45	0.50	0.55	0.018	0.020	0.022
K	0.15	—	—	0.006	—	—
L	0.30	0.40	0.50	0.012	0.016	0.020

Figure 12. QFN24 EP 4x4 mm recommended footprint



## 9.2 Thermal Information

Table 32. Thermal information

Symbol	Parameter	Value	Unit
$R_{\theta JA}$	Junction-to-ambient thermal resistance	37	°C/W
$R_{\theta JC}$	Junction-to-case thermal resistance	5	

## 9.3 Packing information

Figure 13. Reel information

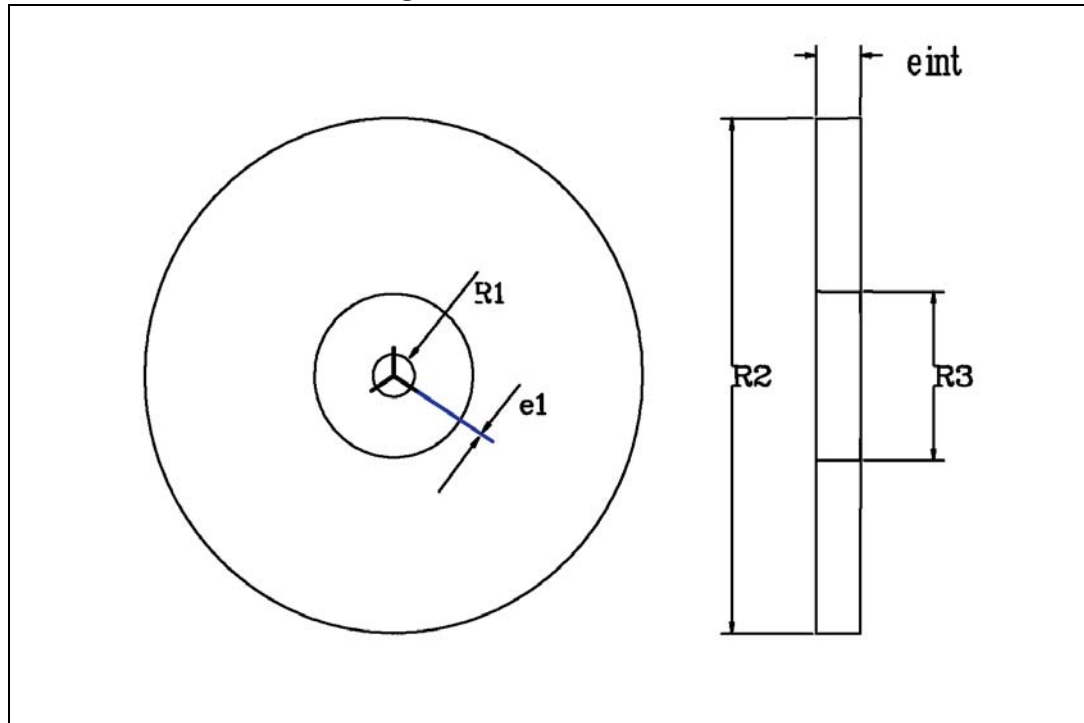


Table 33. Tape dimensions

Package	Pitch	Carrier width	Reel
QFN24 EP 4x4	8 mm	12 mm	13"

## 10 Terms and abbreviations

**Table 34. List of terms and abbreviations**

Term	Description
Accessory modes	Audio adapter accessory mode. It is defined by the presence of Ra/Ra on the CC1/CC2 pins.
	Debug accessory mode. It is defined by the presence of Rd/Rd on CC1/CC2 pins in source power role or Rp/Rp on CC1/CC2 pins in sink power role.
DFP	Downstream Facing Port, specifically associated with the flow of data in a USB connection. Typically, the ports on a HOST or the ports on a hub to which devices are connected. In its initial state, the DFP sources $V_{BUS}$ and $V_{CONN}$ , and supports data.
DRP	Dual-role port. A port that can operate as either a source or a sink. The port's role may be changed dynamically.
Sink	Port asserting Rd on the CC pins and consuming power from the $V_{BUS}$ ; most commonly a device.
Source	Port asserting Rp on the CC pins and providing power over the $V_{BUS}$ ; most commonly a host or hub DFP.
UFP	Upstream Facing Port, specifically associated with the flow of data in a USB connection. The port on a device or a hub that connects to a host or the DFP of a hub. In its initial state, the UFP sinks the $V_{BUS}$ and supports data.

# 11 Revision history

**Table 35. Document revision history**

Date	Revision	Changes
27-Jan-2017	1	Initial release.
05-Apr-2017	2	Updated <i>Features</i> section and ESD reference in <i>Table 28: Absolute maximum ratings</i> .
04-Aug-2017	3	Updated <i>Table 1: Device summary</i> .

**IMPORTANT NOTICE – PLEASE READ CAREFULLY**

STMicroelectronics NV and its subsidiaries ("ST") reserve the right to make changes, corrections, enhancements, modifications, and improvements to ST products and/or to this document at any time without notice. Purchasers should obtain the latest relevant information on ST products before placing orders. ST products are sold pursuant to ST's terms and conditions of sale in place at the time of order acknowledgement.

Purchasers are solely responsible for the choice, selection, and use of ST products and ST assumes no liability for application assistance or the design of Purchasers' products.

No license, express or implied, to any intellectual property right is granted by ST herein.

Resale of ST products with provisions different from the information set forth herein shall void any warranty granted by ST for such product.

ST and the ST logo are trademarks of ST. All other product or service names are the property of their respective owners.

Information in this document supersedes and replaces information previously supplied in any prior versions of this document.

© 2017 STMicroelectronics – All rights reserved

# Mouser Electronics

Authorized Distributor

Click to View Pricing, Inventory, Delivery & Lifecycle Information:

[STMicroelectronics:](#)

[STUSB1602QTR](#) [STUSB1602AQTR](#)