

TOF laser ranging sensor module

IIC communication
Dedicated optical cover sheet



Selection table

Type selection table

Selection Table			
Model	TOF050C 	TOF200C 	TOF400C 
Ranging chip	VL6180	VL53L0X	VL53L1X
Measuring distance	50CM (Max)	2M (Max)	4M (Max)
Measurement dead zone	0-2CM	0-3CM	0-4CM
Infrared emission mechanism	850nm	940nm	940nm
FOV	25°	25°	27°
Communication mode	IIC		
Development routines/software	Arduino Demo / STM32 Demo		
Operating Voltage	3.0V-5V (DC)		
Operating current	40mA (Max)		
Operating temperature	-20° C-70° C		
Storage temperature	-20° C-80° C		

Hardware analysis

Hardware resolution

Dedicated optical cover sheet:

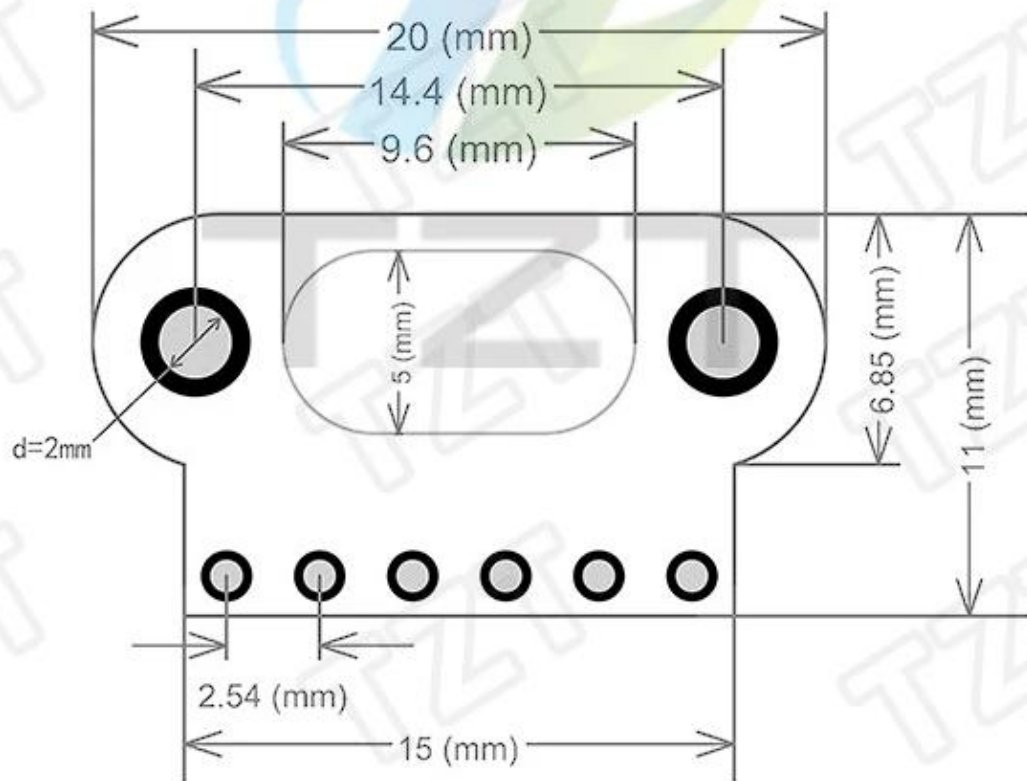
1. Provide physical protection for the module, including preventing dust from entering.
2. Provide optical filtering for the module.



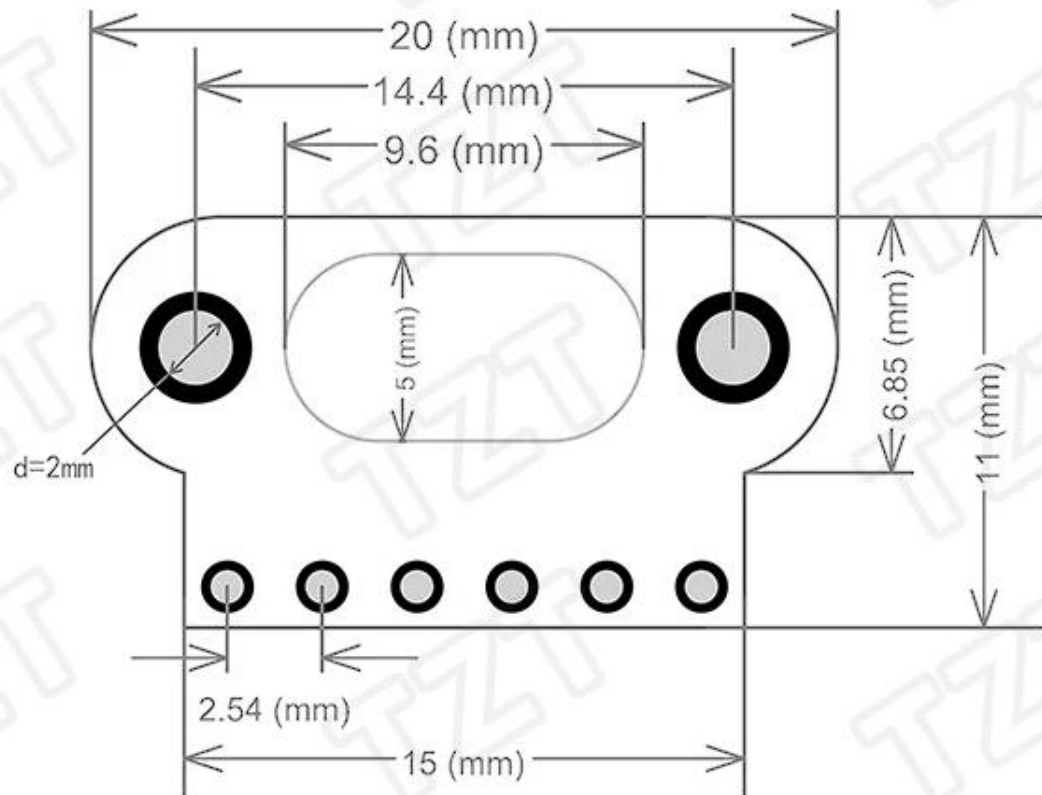
M2 sinking gold mounting hole

Easy to install

TOF050C:



TOF200C:



TOF400C:

