

# VTR-A-PT15 15mm Carbon Trimming Potentiometer

## Electrical Characteristics

Standard Resistance Range	200Ω - 2.2MΩ
Resistance Tolerance	±10%, ±20%; ±30%
Residual Resistance	Max.5% of Nominal Resistance, but under 30Ω
Resistance Taper	Lin: (A); Log: (B); Anti-Log: (C)
Rated Power	(A): 0.15W; (B,C): 0.07W
Maximum Voltage	(A): 250VDC; (B,C): 125VDC
Rotational life	10000 turns;

## MECHANICAL CHARACTERISTICS

Rotational Angle	265° ±5°
Rotational Torque	20-200 g. cm.
Stop-end Strength	0.4kg.cm minimum

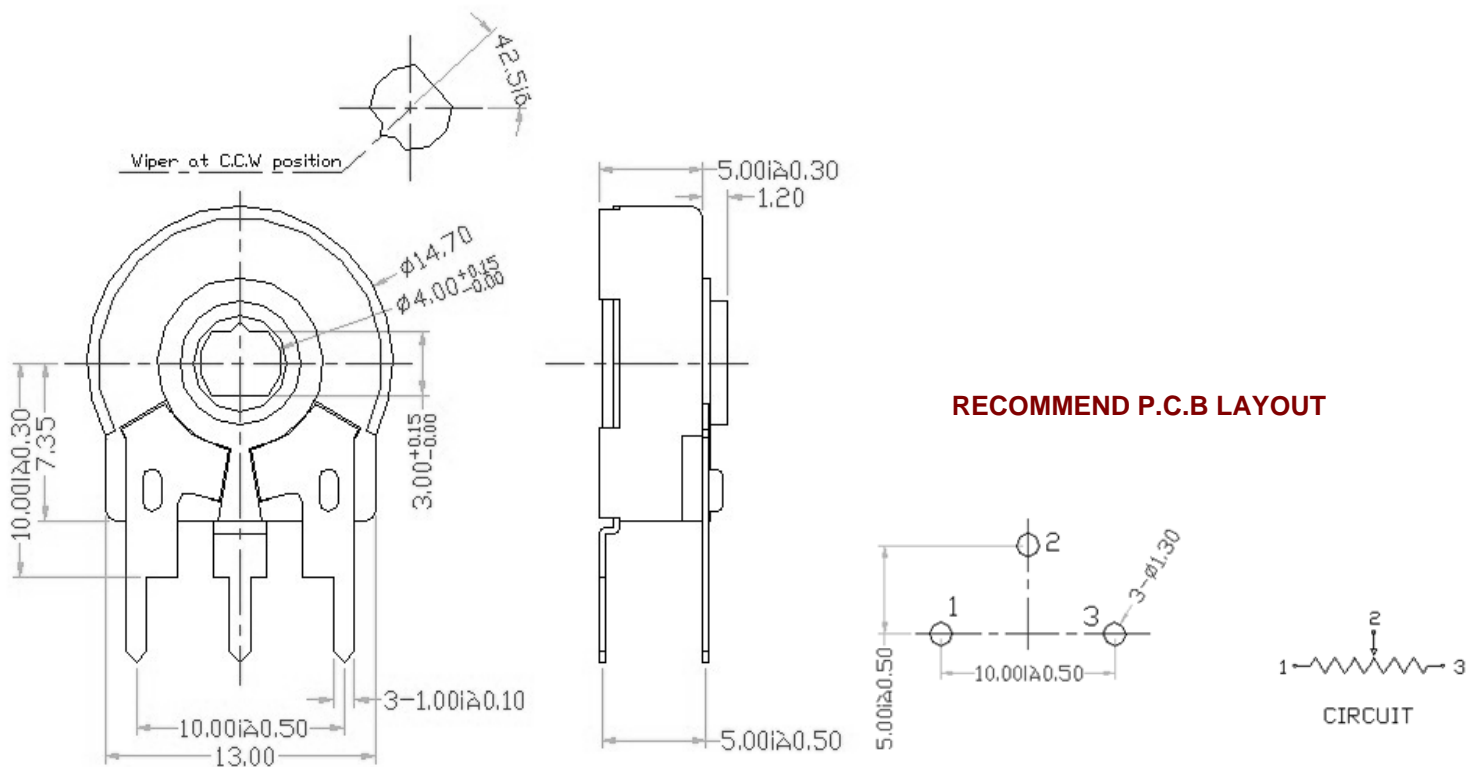
## CLIMATIC CHARACTERISTICS

Operating Temp.	-25°C~70°C
Temp.Characteristics	Resistance change within +5 30% after 5 hours at 70°C
Humidity Characteristics	Maximum resistance change within +-20% after 350 hours loaded at 40°C and R.H.90%.

## SOLDERING CONDITIONS

Temperature	260°C
Time	3 seconds

### PT15H

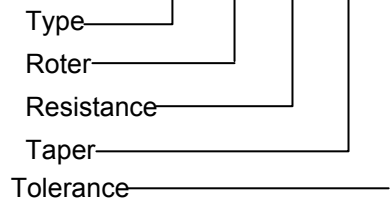


# VTR-A-PT15 15mm Carbon Trimming Potentiometer

## Size Characters and How to Order

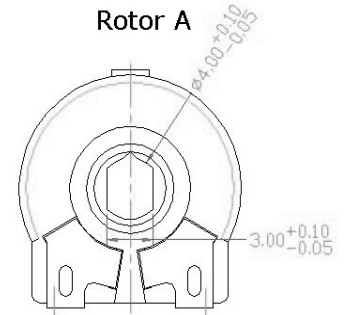
### How To Order

**VTR-A-PT15V1 - K - 103 - A - 10**

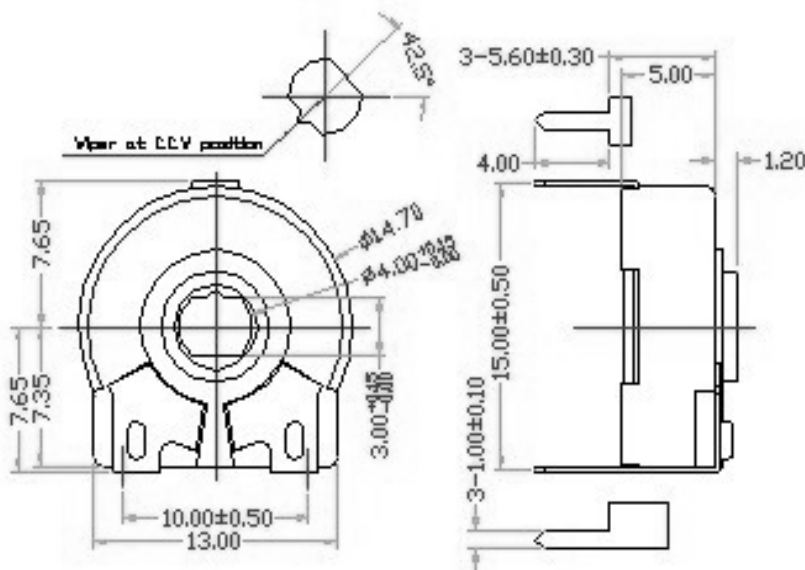


### Rotor Types:

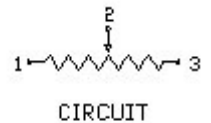
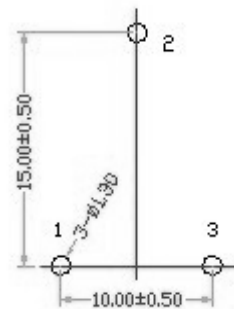
Rotor				
	H	S	K	R



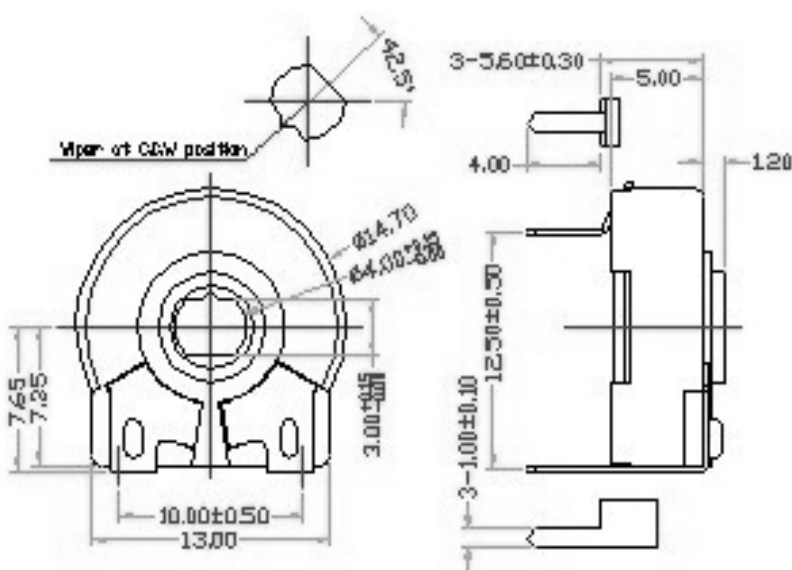
### PT15V1



### RECOMMEND P.C.B LAYOUT



### PT15V2



### RECOMMEND P.C.B LAYOUT

