

Date: 2022/03/09

Specifications for Approval

Model name : 2004A REV:A

| | | |
|------------|-----------|-----------------|
| ENG | QA | APPROVAL |
| Andy | Leo | Duke |

| | |
|--------------------------|--|
| Customer Approval | <input type="checkbox"/> Accept <input type="checkbox"/> Reject Comment: Approved by: |
|--------------------------|--|

REVISION RECORD

| Revision | Revision Date | Page | Contents |
|-----------------|----------------------|-------------|--|
| A | 2022/03/09 | | Initial Release and Issue Full Specification |

CONTENTS

1. FEATURES

The features of LCD are as follows

- * Display mode : STN /BLUE, NEGATIVE, TRANSMISSIVE
- * Color : Display dot :WHITE
Background: BLUE
- * Display Format : 20(characters) × 4(line)
- * IC : 7066 7065
- * Interface Input Data : 8 位
- * Driving Method : 1/16 Duty, 1/5 Bias
- * Viewing Direction : 6 O'clock
- * Backlight : LED(WHITE)

2. MECHANICAL SPECIFICATIONS

| Item | Specification | Unit |
|------------------------|-----------------------------|------|
| Module Size | 98.00(W) X60.00(H) X13.1(T) | mm |
| Viewing Area | 77.00(W) X 25.20(H) | mm |
| Effective Display Area | 70.41(W) X 20.81(H) | mm |
| Number of Dots | 20(characters) × 4(line) | - |
| Dot Size | 0.56(W) X 0.56(H) | mm |
| Dot Pitch | 0.6(W) X 0.6(H) | mm |

3. ELECTRICAL SPECIFICATIONS

3-1. Absolute Maximum Ratings (V_{SS}=0V)

| Item | Symbol | Standard Value | | | Unit |
|------------------------------|--|----------------|------|------|------|
| | | Min. | Typ. | Max. | |
| Supply Voltage For Logic | V _{DD} | -0.3 | - | 5.0 | V |
| Supply Voltage For LCD Drive | V ₀ , V _{OUT} | -0.3 | - | 14.5 | V |
| Operating Temp. | T _{OP} | -20 | - | +70 | °C |
| Storage Temp. | T _{ST} | -30 | - | +80 | °C |
| Static Electricity | Be sure that you are ground when handing LCM | | | | |

3. ELECTRICAL SPECIFICATIONS

3-2-1. Electrical Characteristics

| Item | Symbol | Test Condition | Min. | Typ. | Max. | Unit |
|--------------------------|-------------------|---------------------------|-------------|------|-------------|------|
| Supply Voltage For Logic | $V_{DD} - V_{SS}$ | $T_a=25^{\circ}\text{C}$ | 4.8 | 5.0 | 5.2 | V |
| Supply Voltage For LCD | $V_{DD} - V_0$ | $T_a=25^{\circ}\text{C}$ | 4.0 | 4.2 | 4.4 | V |
| Input Voltage | "H" Level | $T_a=25^{\circ}\text{C}$ | $0.8V_{DD}$ | - | V_{DD} | V |
| | "L" Level | | V_{SS} | - | $0.2V_{DD}$ | V |
| Output Voltage | "H" Level | $I_{OUT} = -0.5\text{mA}$ | $0.8V_{DD}$ | - | V_{DD} | V |
| | "L" Level | $I_{OUT} = 0.5\text{mA}$ | V_{SS} | - | $0.2V_{DD}$ | V |
| Current Consumption | I_{DD} | $V_{IN} = V_{DD}$ | - | - | 1.0 | mA |

NOTE: 1) Duty ratio=1/65, Bias=1/9

2) Measured in Dots ON-state

3-3. BACKLIGHT

3-3-1. Absolute Maximum Ratings

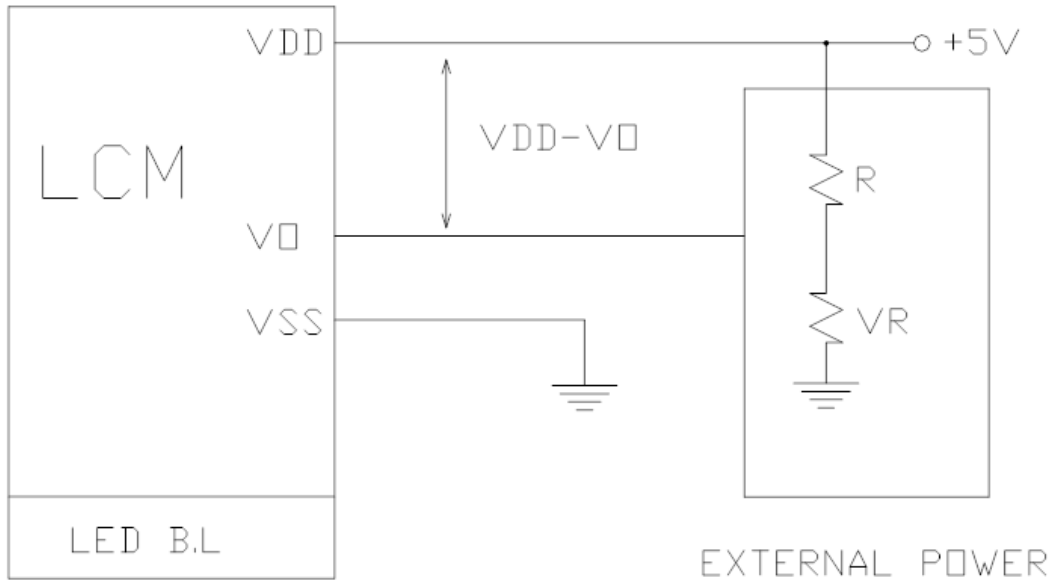
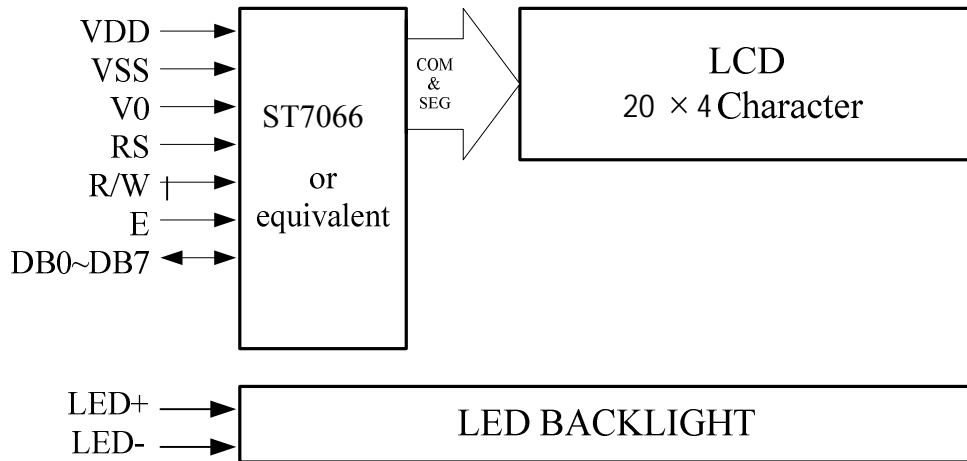
| Item | Symbol | Condition | Min. | Typ. | Max | Unit |
|-------------------|--------|---------------------------|------|------|-----|------|
| Forward Current | I_F | $T_a= 25^{\circ}\text{C}$ | - | - | 20 | mA |
| Reverse Voltage | V_R | | - | - | 5 | V |
| Power Dissipation | P_D | $T_a= 25^{\circ}\text{C}$ | - | - | 100 | mW |

3-3-2. Opto-electronic Characteristics

| Item | Symbol | Condition | Min. | Typ. | Max | Unit |
|-----------------|--------|---|------|------|-----|-----------------|
| Forward Voltage | V_F | $T_a= 25^{\circ}\text{C}$ $I_F= 32\text{mA}$ | 4.8 | 5.0 | 5.2 | V |
| Luminous | - | | 100 | 150 | - | cd/m^2 |

* The brightness is measured without LCD panel

4. schematic diagram



$V_{DD}-V_0$: LCD DRIVING VOLTAGE

V_R : 10K ~ 20K

IF $V_0(LCD) > 5.0V$, THE EXTERNAL POWER MUST BE USED

5. Interface Pin Function

| Pin No. | Pin Out | Description |
|---------|---------|---|
| 1 | VSS | GND |
| 2 | VDD | Logic supply voltage (5.0V) |
| 3 | VO | Power supply for LCD |
| 4 | RS | Data/Instruction RS=high: Indicates that data of DB0~DB7 is display data. RS=low: Indicates that data of DB0~DB7 is instruction |
| 5 | R/W | Read/Write R/W=high: Data of DB0~DB7 can be read by CPU. R/W=low: Data of DB0~DB7 can be written into LCD driver IC.. |
| 6 | E | Enable When write(R/W=low): Data of DB0~DB7 is latched at the fall of E When read(R/W=high): Data is read while E is at high level. |
| 7 | DB0 | Data Bus line. |
| 8 | DB1 | |
| 9 | DB2 | |
| 10 | DB3 | |
| 11 | DB4 | |
| 12 | DB5 | |
| 13 | DB6 | |
| 14 | DB7 | |
| 15 | A | LED Backlight +. |
| 16 | K | LED Backlight -./ |

6. COMMAND LIST

Instruction Table:

| Instruction | Instruction Code | | | | | | | | | | Description | Description Time (270KHz) | |
|----------------------------|------------------|-----|-----|-----|-----|-----|-----|-----|-----|-----|-------------|--|---------|
| | RS | R/W | DB7 | DB6 | DB5 | DB4 | DB3 | DB2 | DB1 | DB0 | | | |
| Clear Display | 0 | 0 | 0 | 0 | 0 | 0 | 0 | 0 | 0 | 0 | 1 | Write "20H" to DDRAM. and set DDRAM address to "00H" from AC | 1.52 ms |
| Return Home | 0 | 0 | 0 | 0 | 0 | 0 | 0 | 0 | 0 | 1 | x | Set DDRAM address to "00H" from AC and return cursor to its original position if shifted. The contents of DDRAM are not changed. | 1.52 ms |
| Entry Mode Set | 0 | 0 | 0 | 0 | 0 | 0 | 0 | 0 | 1 | I/D | S | Sets cursor move direction and specifies display shift. These operations are performed during data write and read. | 37 us |
| Display ON/OFF | 0 | 0 | 0 | 0 | 0 | 0 | 0 | 1 | D | C | B | D=1:entire display on C=1:cursor on B=1:cursor position on | 37 us |
| Cursor or Display Shift | 0 | 0 | 0 | 0 | 0 | 0 | 1 | S/C | R/L | x | x | Set cursor moving and display shift control bit, and the direction, without changing DDRAM data. | 37 us |
| Function Set | 0 | 0 | 0 | 0 | 0 | 1 | DL | N | F | x | x | DL:interface data is 8/4 bits N:number of line is 2/1 F:font size is 5x11/5x8 | 37 us |
| Set CGRAM address | 0 | 0 | 0 | 1 | AC5 | AC4 | AC3 | AC2 | AC1 | AC0 | | Set CGRAM address in address counter | 37 us |
| Set DDRAM address | 0 | 0 | 1 | AC6 | AC5 | AC4 | AC3 | AC2 | AC1 | AC0 | | Set DDRAM address in address counter | 37 us |
| Read Busy flag and address | 0 | 1 | BF | AC6 | AC5 | AC4 | AC3 | AC2 | AC1 | AC0 | | Whether during internal operation or not can be known by reading BF. The contents of address counter can also be read. | 0 us |
| Write data to RAM | 1 | 0 | D7 | D6 | D5 | D4 | D3 | D2 | D1 | D0 | | Write data into internal RAM (DDRAM/CGRAM) | 37 us |
| Read data from RAM | 1 | 1 | D7 | D6 | D5 | D4 | D3 | D2 | D1 | D0 | | Read data from internal RAM (DDRAM/CGRAM) | 37 us |

Note:

Be sure the ST7066U is not in the busy state (BF = 0) before sending an instruction from the MPU to the ST7066U. If an instruction is sent without checking the busy flag, the time between the first instruction and next instruction will take much longer than the instruction time itself. Refer to Instruction Table for the list of each instruction execution time.

7. TIMING CHARACTERISTICS (Continued)

AC Characteristics (VDD = 2.7 V ~ 4.5 V, Ta = -30 ~ +85°C)

| Mode | Characteristics | Symbol | Min | Typ | Max | Unit |
|--|-------------------------------|--------|-------|-----|------|------|
| Interface Mode With Extension Driver (Refer to Fig-8) | Clock Pulse Width (High, Low) | Tc | 500 | - | - | ns |
| | Clock Rise / Fall Time | Tr, Tf | - | - | 20 | |
| | Clock Setup Time | Tsu1 | 500 | - | - | |
| | Data Setup Time | Tsu2 | 300 | - | - | |
| | Data Hold Time | Tdh | 300 | - | - | |
| | M Delay Time | TDM | -1000 | - | 1000 | |

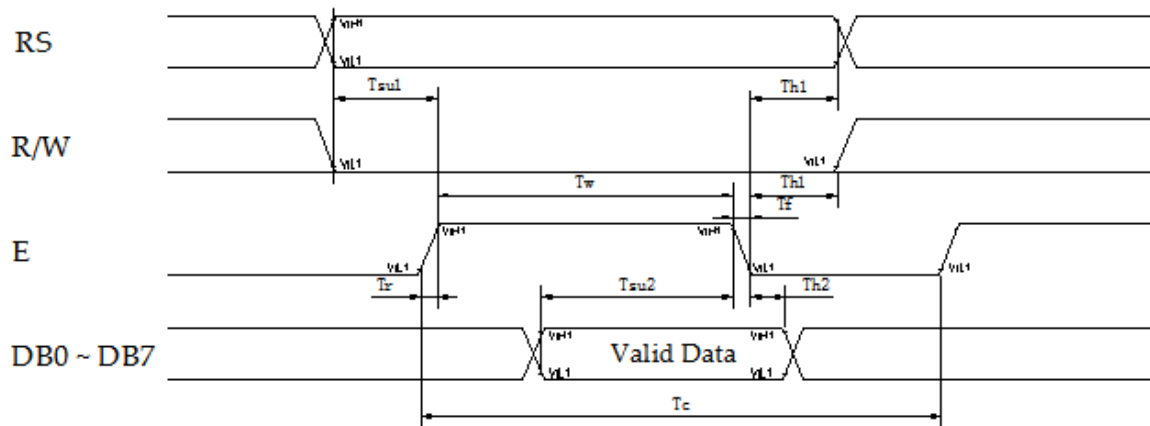


Figure 6. Write Mode Timing Diagram

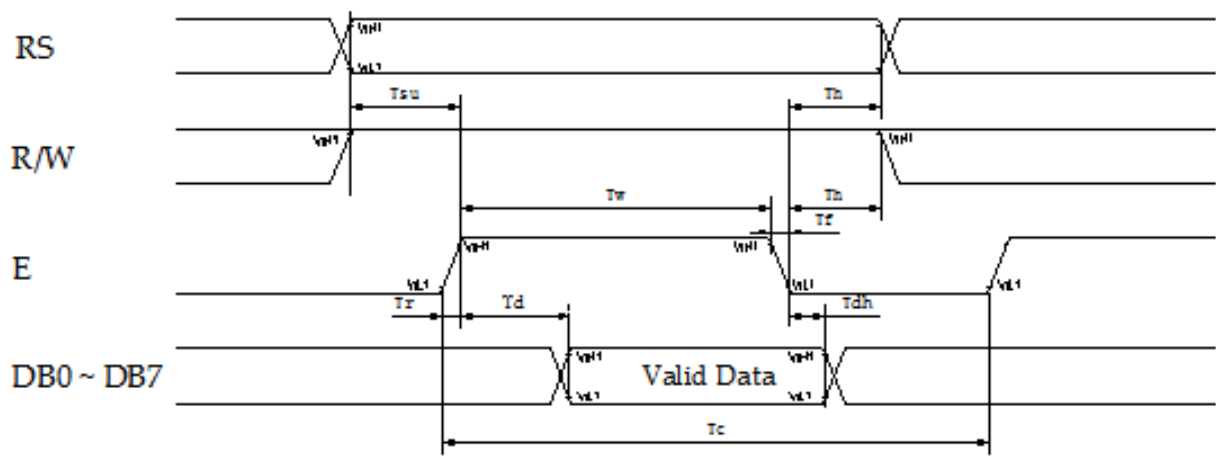


Figure 7. Read Mode Timing Diagram

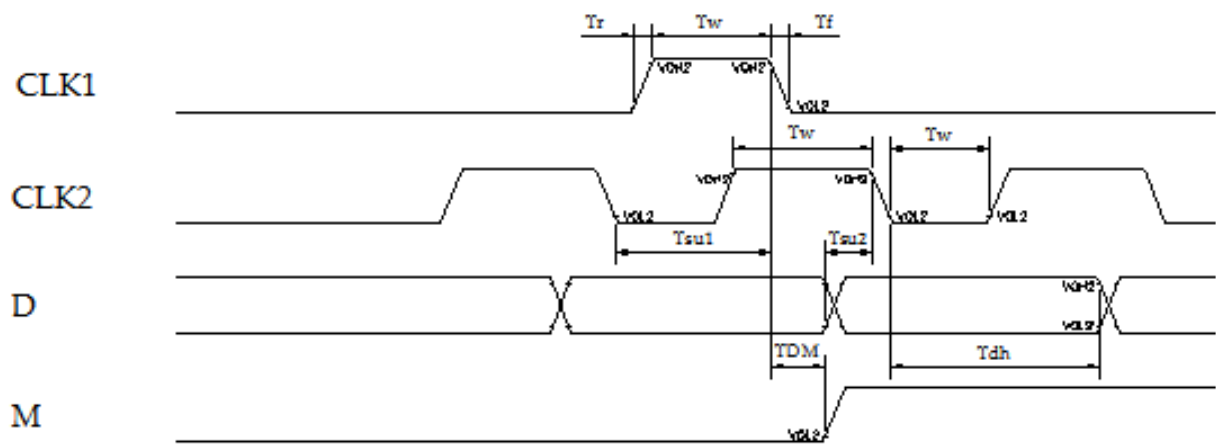


Figure 8. Interface Mode With Extension Driver Timing Diagram

8. QUALITY SPECIFICATION (Continued)

8-3. Sampling Plan and Acceptance

1. Sampling Plan

MIL - STD - 105E (||) ordinary single inspection is used.

2. Acceptance

Major defect: AQL = 0.25%

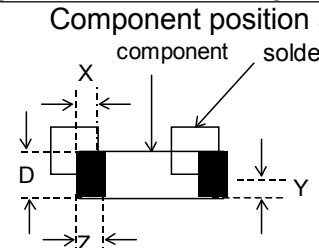
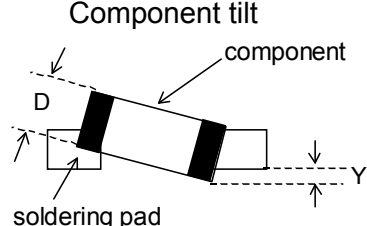
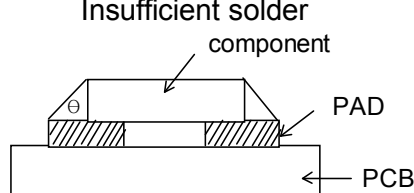
Minor defect: AQL = 0.65%

8-4. Criteria

1. COB

| Defect | Inspection Item | Inspection Standards | |
|--------|-------------------------------|--|--------|
| Major | PCB copper flakes peeling off | Any copper flake in viewing Area should be greater than 1.0mm ² | Reject |
| Major | Height of coating epoxy | Exceed the dimension of drawing | Reject |
| Major | Void or hole of coating epoxy | Expose bonding wire or IC | Reject |
| Major | PCB cutting defect | Exceed the dimension of drawing | Reject |

2. SMT

| Defect | Inspection Item | Inspection Standards | |
|--------|---|---------------------------------|------------------|
| Minor | Component marking not readable | | Reject |
| Minor | Component height | Exceed the dimension Of drawing | Reject |
| Major | Component solder defect (missing , extra, wrong component or wrong orientation) | | Reject |
| Minor | <p>Component position shift</p>  | $X < 3/4Z$ $Y > 1/3D$ | Reject Reject |
| Minor | <p>Component tilt</p>  | $Y > 1/3D$ | Reject |
| Minor | <p>Insufficient solder</p>  | $\theta \leq 20^\circ$ | Reject |

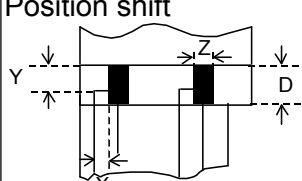
8. QUALITY SECIFICATION (Continued)

8-4. Criteria (Continued)

3. Metal (Plastic) Frame

| Defect | Inspection Item | Inspection Standards | | |
|---|---|--|-----------------------|------------------------------|
| Major | Crack / breakage | Anywhere | | Reject |
| Minor | Frame Scratch | W | L | Acceptable of Scratch |
| | | $w < 0.03\text{mm}$ | Any | Ignore |
| | | $0.03\text{mm} \leq w < 0.05\text{mm}$ | $L \leq 5.0\text{mm}$ | 2 |
| | | $0.05\text{mm} \leq w < 0.1\text{mm}$ | $L \leq 3.0\text{mm}$ | 1 |
| | | $w \geq 0.1\text{mm}$ | Any | 0 |
| Note: 1. Above criteria applicable to scratch lines with distance greater than 5mm. 2. Scratch on the back side of frame (not visible) can be ignored. | | | | |
| Minor | Frame Dent, Prick $\Phi = \frac{L + W}{2}$ | | | Acceptable of Dents / Pricks |
| | | $\Phi \leq 1.0\text{mm}$ | | 2 |
| | | $1.0 < \Phi \leq 1.5\text{mm}$ | | 1 |
| | | $1.5\text{mm} > \Phi$ | | 0 |
| Note: 1. Above criteria applicable to any two dents / pricks with distance greater than 5mm 2. Dent / prick on the back side of frame (not visible) can be ignored | | | | |
| Minor | Frame Deformation | Exceed the dimension of drawing | | |
| Minor | Metal Frame Oxidation | Any rust | | |

4. Flexible Film Connector (FFC)

| Defect | Inspection Item | Inspection Standards | |
|--------|---|--------------------------------|------------|
| Minor | Tilted soldering | Within the angle $\pm 3^\circ$ | Acceptable |
| Minor | Uneven solder joint /bump | | Reject |
| Minor | Hole $\Phi = \frac{L + W}{2}$ | Expose the conductive line | Reject |
| | | $\Phi > 1.0\text{mm}$ | Reject |
| Minor | Position shift  | $Y > 1/3D$ | Reject |
| | | $X > 1/2Z$ | Reject |

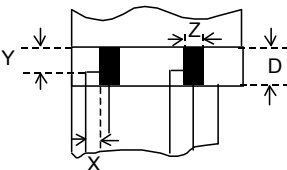
8. QUALITY SPECIFICATION (Continued)

8-4. Criteria (Continued)

5. Screw

| Defect | Inspection Item | Inspection Standards | |
|--------|----------------------|----------------------------------|--------|
| Major | Screw missing/loosen | | Reject |
| Minor | Screw oxidation | Any rust | Reject |
| Minor | Screw deformation | Difficult to accept screw driver | Reject |

6. Heat seal 、TCP 、FPC

| Defect | Inspection Item | Inspection Standards | |
|--------|--|-----------------------------|--------|
| Major | Scratch expose conductive layer | | Reject |
| Minor | HS Hole $\Phi = \frac{L+W}{2}$ | $\Phi > 0.2\text{mm}$ | Reject |
| Major | Adhesion strength | Less than the specification | Reject |
| Minor | Position shift  | $Y > 1/3D$ | Reject |
| | | $X > 1/2Z$ | Reject |
| Major | Conductive line break | | Reject |

7. LED Backing Protective Film and Others

| Defect | Inspection Item | Inspection Standards | |
|--------|----------------------|--|--------|
| Minor | LED dirty, prick | Acceptable number of units | |
| | | $\Phi \leq 0.10\text{mm}$ | Ignore |
| | | $0.10 < \Phi \leq 0.15\text{mm}$ | 2 |
| | | $0.15 < \Phi \leq 0.2\text{mm}$ | 1 |
| | | $\Phi > 0.2\text{mm}$ | 0 |
| | | The distance between any two spots should be $\geq 10\text{mm}$ Any spot/dot/void outside of viewing area is acceptable | |
| Minor | Protective film tilt | Not fully cover LCD | Reject |
| Major | COG coating | Not fully cover ITO circuit | Reject |

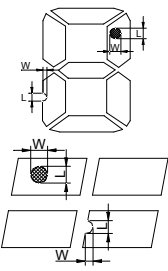
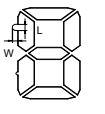
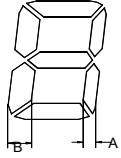
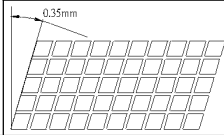
8. Electric Inspection

| Defect | Inspection Item | Inspection Standards | |
|--------|-----------------|----------------------|--------|
| Major | Short | | Reject |
| Major | Open | | Reject |

8. QUALITY SPECIFICATION (Continued)

8-4. Criteria (Continued)

9. Inspection Specification of LCD

| Defect | Inspect Item | Inspection Standards | | | | |
|--------|--|---|---|--------------------------------|------------------------|--------------|
| | | W | $W \leq 0.03$ | $0.03 < W \leq 0.05$ | $W > 0.05$ | |
| Minor | Linear Defect * Glass Scratch * Polarizer Scratch * Fiber and Linear material | L | $L < 5$ | $L < 3$ | Any | |
| | | ACC. NO. | 1 | 1 | Reject | |
| | | Note | L is the length and W is the width of the defect | | | |
| | | | | | | |
| Minor | Black Spot and Polarizer Pricked * Foreign material between glass and polarizer or glass and glass * Polarizer hole or protuberance by external force | Φ | $\Phi \leq 0.1$ | $0.1 < \Phi \leq 0.15$ | $0.15 < \Phi \leq 0.2$ | $\Phi > 0.2$ |
| | | ACC. NO. | 3EA / 1PC | 2 | 1 | 0 |
| | | Note | Φ is the average diameter of the defect. Distance between two defects > 10mm. | | | |
| | | | | | | |
| Minor | White Spot and Bubble in polarizer * Unobvious transparent foreign material between glass and glass or glass and polarizer * Air protuberance between polarizer and glass | Φ | $\Phi \leq 0.1$ | $0.1 < \Phi \leq 0.15$ | $0.15 < \Phi \leq 0.2$ | $\Phi > 0.2$ |
| | | ACC. NO. | 3EA / 1PC | 2 | 1 | 0 |
| | | Note | Φ is the average diameter of the defect. Distance between two defects > 10mm. | | | |
| | | | | | | |
| Minor | Segment Defect  | Φ | $\Phi \leq 0.10$ | $0.10 < \Phi \leq 0.20$ | $\Phi > 0.2$ | |
| | | ACC. NO. | 3EA / 1PC | 2 | 0 | |
| | | Note | W is more than 1/2 segment width | | Reject | |
| | | | $\Phi = \frac{L + W}{2}$ Distance between two defect is 10mm | | | |
| Minor | Protuberant Segment  $\Phi = (L + W) / 2$ | Φ | $\Phi \leq 0.10$ | $0.10 < \Phi \leq 0.20$ | $\Phi > 0.2$ | |
| | | W | Glue | $W \leq 1/2$ Seg, $W \leq 0.2$ | Ignore | |
| | | ACC. NO. | 3EA / 1PC | 2 | 0 | |
| | | | | | | |
| Minor | Assembly Mis-alignment   | 1. Segment | | | | |
| | | B | $B \leq 0.4\text{mm}$ | $0.4 < B \leq 1.0\text{mm}$ | $B > 1.0\text{mm}$ | |
| | | B-A | $B-A < 1/2B$ | $B-A < 0.2$ | $B-A < 0.25$ | |
| | | Judge | Acceptable | Acceptable | Acceptable | |
| | | 2. Dot Matrix | | | | |
| | | Deformation > 0.35mm | | | Reject | |
| Minor | Stain on LCD Panel Surface | Accept when stains can be wiped lightly with a soft cloth or a similar one. Otherwise, judged according to the above items: "Black spot" and "White Spot" | | | | |

9. RELIABILITY

| NO. | Item | Condition | Criterion |
|-----|----------------------------|---|--|
| 1 | High Temperature Operating | 70°C, 96Hrs | No defect in cosmetic and operational function allowable. |
| 2 | Low Temperature Operating | -20°C, 96Hrs | |
| 3 | High Humidity | 40°C, 90%RH, 96Hrs | |
| 4 | High Temperature Storage | 80°C, 96Hrs | |
| 5 | Low Temperature Storage | -30°C, 96Hrs | |
| 6 | Vibration | Random wave 10 ~ 100Hz Acceleration: 2g 2 Hrs per direction(X,Y,Z) | Total current Consumption should be below double of initial value. |
| 7 | Thermal Shock | -10°C to 25°C to 60°C (60Min) (5Min) (60Min) 16Cycles | |
| 8 | ESD Testing | Contract Discharge Voltage: +1 ~ 5kV and -1 ~ -5kV | There will be discharged ten times at every discharging voltage cycle. The voltage gap is 1kV. |
| | | Air Discharge Voltage: +1 ~ 8kV and -1 ~ -8kV | |

- Note:
- 1) Above conditions are suitable for xinnuoya standard products.
 - 2) For restrict products, the test conditions listed as above must be revised.

10. HANDLING PRECAUTION

(1) Mounting Method

The panel of the LCD Module consists of two thin glass plates with polarizers which easily get damaged since the Module is fixed by utilizing fitting holes in the printed circuit board. Extreme care should be taken when handling the LCD Modules.

(2) Caution of LCD handling & cleaning

When cleaning the display surface, use soft cloth with solvent (recommended below) and wipe lightly.

- Isopropyl alcohol
- Ethyl alcohol
- Trichlorotrifluoroethane

Do not wipe the display surface with dry or hard materials that will damage the polarizer surface.

Do not use the following solvent:

- Water
- Ketone
- Aromatics

(3) Caution against static charge

The LCD Module use C-MOS LSI drivers, so we recommend that you connect any unused input terminal to VDD or VSS, do not input any signals before power is turned on. And ground your body, Work/assembly table. And assembly equipment to protect against static electricity.

(4) Packaging

- Modules use LCD elements, and must be treated as such. Avoid intense shock and falls from a height.
- To prevent modules from degradation. Do not operate or store them exposed directly to sunshine or high temperature/humidity.

(5) Caution for operation

- It is indispensable to drive LCD's within the specified voltage limit since the higher voltage than the limit shorten LCD life. An electrochemical reaction due to direct current causes LCD deterioration, Avoid the use of direct current drive.

10. HANDLING PRECAUTION (Continued)

- Response time will be extremely delayed at lower temperature than the operating temperature range and on the other hand at higher temperature LCD's show dark color in them.

However those phenomena do not mean malfunction or out of order with LCD's.

Which will come back in the specified operating temperature range.

- If the display area is pushed hard during operation, some font will be abnormally displayed but it resumes normal condition after turning off once.
- A slight dew depositing on terminals is a cause for electro-chemical reaction resulting in terminal open circuit.

Usage under the relative condition of 60 C, 90%RH or less is required.

(6) Storage

In the case of storing for a long period of time (for instance ,for years) for the purpose or replacement use, The following ways are recommended.

- Storage in a polyethylene bag with sealed so as not to enter fresh air outside in it, And with no desiccant.
- Placing in a dark place where neither exposure to direct sunlight nor light is. Keeping temperature in the specified storage temperature range.
- Storing with no touch on polarizer surface by the anything else. (It is recommended to store them as they have been contained in the inner container at the time of delivery)

(7) Safety

- It is recommendable to crash damaged or unnecessary LCD into pieces and wash off liquid crystal by using solvents such as acetone and ethanol.

Which should be burned up later.

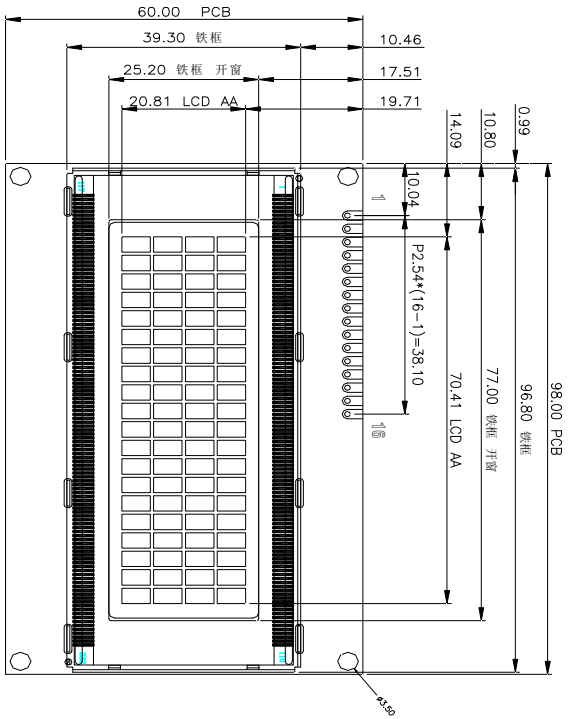
- When any liquid crystal leaked out of a damaged glass cell comes in contact with your hands, please wash it off well with soap and water.

CUSTOMER APPROVED:

日期

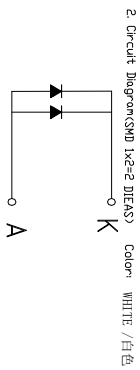
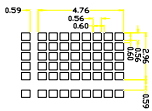
版本

修改内容



| | |
|----|-----|
| 1 | GND |
| 2 | VDD |
| 3 | V0 |
| 4 | RS |
| 5 | R/W |
| 6 | E |
| 7 | DB0 |
| 8 | DB1 |
| 9 | DB2 |
| 10 | DB3 |
| 11 | DB4 |
| 12 | DB5 |
| 13 | DB6 |
| 14 | DB7 |
| 15 | BLA |
| 16 | BLK |

- SPECIFICATION:
- 1). SINK (BLUE) / NEGATIVE / TRANSMISSIVE
 - 2). DUTY: 1/16. BIAS: 1/5. VO/VOUT
 - 3). VIEWING ANGLE: 6 0° CLOCK
 - 4). DRIVE VOLTAGE: 5.0V
 - 5). OPERATING TEMPERATURE: -20°~70°C
STORAGE TEMPERATURE: -30°~80°C
 - 6). BACKLIGHT: WHITE IF=40MA
 - 7). DRIVE IC: 7066, 7065



11. OUTLINE DIMENTION

| | | | | |
|-----------|----------|------------|--------|---------------------------|
| UNIT : mm | DATE: | 20220309 | REV: A | UNDEFINED TOLERANCE: ±0.3 |
| | Product: | 2004A Dwg. | | |
| DRAWN: | LUO | CHECKED: | OSCAR | PAGE: 1/1 |