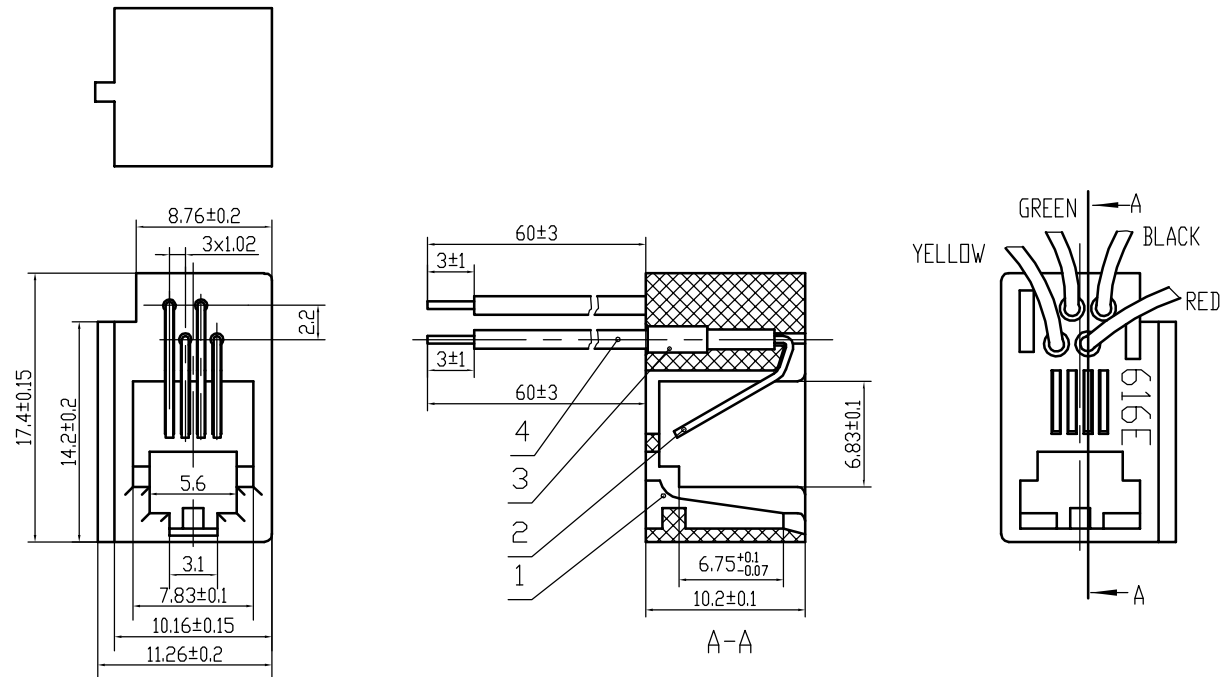


YH-102

REV.	ECN NO.	DATE



NOTES:

1. Insulation Resistance: 1000 Megohms min;
2. Withstand Voltage: 1000V, AC/minute.
3. Durability: 750 mating circles min.

4		WIRE	UL1061 AWG26
3		TERMINAL	H65Y
2		PIN	QSn6.5-0.1
1		616E HOUSING	ABS UL94V-0 GRAY
NO.	DWG NO.	NAME	DESCRIPTION

RoHS Compliant

<b>CZT® 意华通讯接插件有限公司</b> YIHUA COMMUNICATED CONNECTOR CO.,LTD.		TOLERANCES 0~10±0.1 10~20±0.15 >20±0.2		MATERIAL: SEE TABLE		Designed:		NAME: 616E 4P4C	
FIRST ANGLE PROJECTION		SCALE 2.2:1		FINISH: 3u"		Checked:		DWG NO.: H08032801	
SIZE 4		UNIT mm		SHEET 1 OF 1		Approved:		PART NO.: B203N-4403-I004	
CUSTOMER: 土耳其MAS		MODEL NO.:		REV		00		00	